

OPEL
GT
SOURCE

Manta/Ascona Digital Download (version 1.0)



Your Direct Source
for Restoration,
Maintenance, and
Enhancement of
the Opel Manta

1-800-673-5487

Info: 1-209-928-1110 (International orders)
Fax: 1-209-928-3298 (1-209-928-FAXT)

Internet: www.opelgtsource.com
E-mail: OpelGTS@OpelGTSSource.com

Open Monday through Friday 8 a.m. - 5 p.m. Pacific Time (Except Holidays)

Mailing Address: P.O. Box 4004, Sonora, CA 95370-4004
UPS Address: 18211 Zeni Lane, Tuolumne, CA 95379



Purchasing with Confidence from OPEL GT SOURCE

Dear Opel Owner:

As your eyes travel this catalog, you'll benefit from: What you need to know to keep your Opel looking good on the inside or out ... how to improve performance ... how to keep your dream alive and on the road.

Opel GT Source is run by Opel Enthusiasts for Opel Enthusiasts.

Confidence: Rest assured in the confidence you are dealing with a company who has been in business for over 25 years.

Knowledge: We know Opel. Our knowledgeable staff repair and maintain their own Opels. Subsequently, we know what parts and procedures work. Something the local parts guy can't help you with.

Convenience: Online ordering is available 24 hours a day at www.OpelGTSource.com or by fax at (209) 928-3298. You may also order toll free and speak with one of our sales staff at 1 (800) 673-5487 Mon. - Fri. 8-5 Pacific. Canadian and International customers please dial 1 (209) 928-1110, Tech Inquires: Please email us.

Pricing: Our prices are definitely in-line with specialty retailers, plus we publish "how to" labor guides & price lists.

Inventory: We stock thousands of parts so that you can get the part you need for your Opel fast.

Shipping: We have a 'Same-Day' shipping policy (**on orders received here by noon—some larger items are excepted).

Credit/Debit: We accept Visa/Master Card/American Express/Discover cards. We charge when parts are ready to ship.

Security: Your privacy is paramount. You can rest assured your information will not be sold to telemarketers.

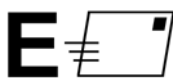
Toll Free Ordering Hours USA
1 (800) 673-5487

Monday - Friday
8 a.m. to 5 p.m. Pacific
9 a.m. to 6 p.m. Mountain
10 a.m. to 7 p.m. Central
11 a.m. to 8 p.m. Eastern



FAX

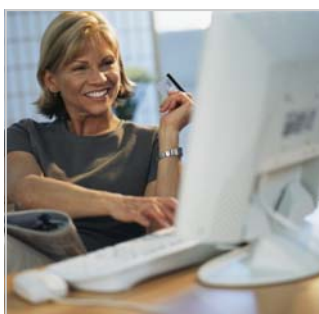
Fax Ordering
1 (209) 928-3298



opelgts@opelgtsource.com

Calling from Canada
1 (209) 928-1110
International Ordering
001 209 928-1110

Shop Online 24/7



Same-Day Shipping**
UPS or USPS



Opel Manta 1970-1975

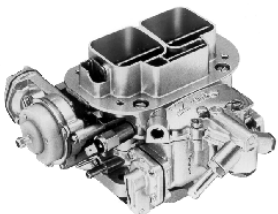
GT/E version shown



In late September 1970, Buick dealers introduced the Opel '1900' series. While the best known vehicle is the sporty Manta coupe, an entire line of 1900's, including the Manta, Manta Rallye, Manta Luxus, Ascona 2 door, 4 door, 3 door station wagon and Sport Wagon were based on the same 50 series chassis. By late 1975 over 260,000 car had been sold in the USA.

Opel GT Source has been in business since 1987. As your Opel specialist we not only stock numerous items for your Opel Manta and 1900, we have re-manufactured many discontinued items to aid you with your restoration project.

One of the first items that all Opels need is a replacement for the old worn-out Solex carburetor. Opel GT Source offers "trademarked" (original manufacturer) Weber carburetors to replace that unreliable Solex. Along with the carburetor we offer all of the appropriate gaskets, linkage pieces, adapters and even a cold air snorkel to build your own cold air system.



Weber 32/36 DGEV

Opel GT Source also offers replacement and upgrade items for your 1.9L engine, ignition, suspension and braking systems. These items include the common wear items, as well as numerous performance upgrades.



15058 Front Bushings

Opel GT Source also offers larger displacement European engines and Getrag 5 speed transmissions. We also offer 2.0L pistons and valves to substantially increase the performance of your stock low compression 1.9L engine.

Model Name Change

In 1971 & 1972 all 50 series Opels were sold as the '1900'. In 1973, 74 & 75, model 57 received its European name 'Manta'.

Unfortunately the model 51, 53 & 54 did not receive the Ascona name for the US market, as its European cousin.

Note: The Ascona name has been adopted by many in the on-line community for clarification purposes.

Model Designations 1973-1975:

- OL11 - Opel 1900 2 door sedan (Ascona)
- OL15 - Opel 1900 2 door wagon (Ascona Wagon)
- OL60 - Opel 1900 4 door sedan (Ascona)
- OL77 - Opel 2 door sport coupe (Manta)

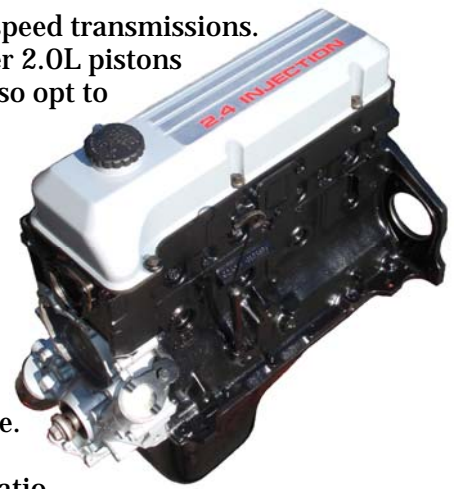
Opel GT Source also offers larger displacement European engines along with 5 speed transmissions. Engines offered are 2.0L, 2.2L and 2.4L cam-in-head (cih) engines. We also offer 2.0L pistons and 2.0L valves to convert your 75hp smog engine into a 110hp 2.0L. You can also opt to install a higher performance cam to extract even more power.



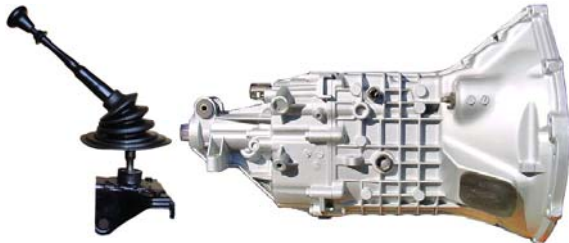
Left: 2.0L performance pistons and valves

Left: Electronic Ignition System for your Manta

Right: 2.4L European larger displacement engine, with the rare 2.4L valve cover.



We also sell 5 speed Getrag transmissions that bolt to any 1.9L to 2.4L cih engine. The Getrag transmissions are quieter and stronger than the original 4 speed. The internal gears are almost double in size and 5th. Gear is a 0.805 overdrive ratio, which lowers freeway rpm significantly.



Above: Getrag 5 speed & Modified Manta shifter

Another item we sell is two types of after-market electronic ignition systems. Both systems completely eliminate the ignition points and condenser which eliminates the constant under-hood time to replace the points and reset the dwell and ignition timing.

Whether you are looking for a body kit for your 1900/Manta, Ascona or an air dam for your Manta we have you covered.

Left Below: 1971 Manta with our Steinmetz fender flare kit.



Above: GT/E air dam on the 'Black Magic' European edition Manta.

Will also fit big-bumper Mantas.

European fuel injection, bigger brakes, heavier duty clutches as well as our expertise is available to upgrade or restore your Opel. Many other parts are available for our Opels that are described in detail in full line catalog and catalog supplement.

As always we not only sell parts, but we own and drive our own Opels. Please feel free to contact us with your restoration needs.

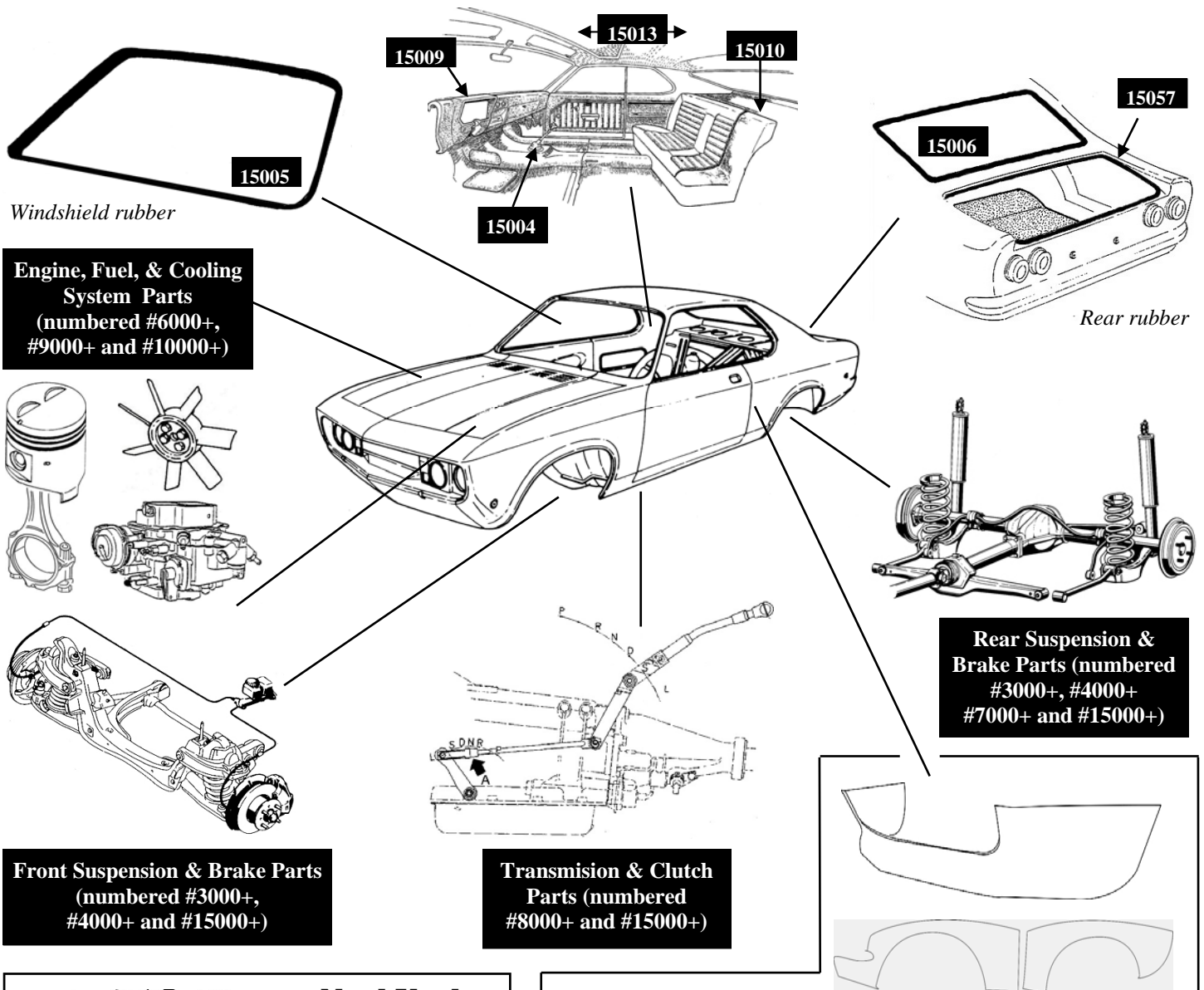


Opel GT Source P.O. Box 4004, Sonora, CA 95370-4004 U.S.A
 Information: 209-928-1110 Orders: 800-673-5487
 Web: www.opelgts.com
 Email: opelgts@opelgts.com



MANTA/ASCONA PARTS from OPEL GT SOURCE

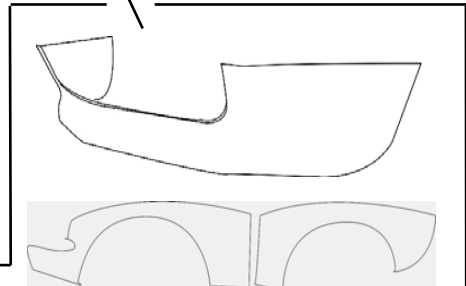
Opel GT Source not only stocks an extensive inventory of parts for the original drivelines of the Manta/Ascona, but also offers some hard-to-find replacement parts exclusive to those models (such as front/rear weatherstripping, and other trim items). These can be located and viewed on our website at: <http://www.opelgtsource.com>



Front Suspension & Brake Parts
(numbered #3000+,
#4000+ and #15000+)

Transmission & Clutch
Parts (numbered
#8000+ and #15000+)

Rear Suspension & Brake Parts (numbered
#3000+, #4000+
#7000+ and #15000+)



Need Used Parts?

Opel GT Source also has an inventory of many various good used components for the Manta/Ascona series.

It's important to plan your order by identifying the model and year of your vehicle application, and to check for part variations (which are described on the following pages).

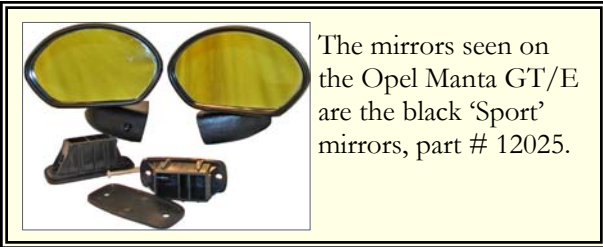
Fiberglass Body Panels

Many Manta/Ascona owners choose to upgrade the profile of their vehicle using available aftermarket fiberglass panels.

The following pages display some of the variations which can be realized by Manta/Ascona owners, who look forward to a challenge of putting in some extra effort to benefit their vehicles' performance and appearance.

MANTA GT/E FRONT AIR DAM

15100 GT/E MANTA FRONT SPOILER: This very popular front spoiler, combines function with factory good looks. Fits both small bumper 1971-73 Mantas as well as the 1974-75 big bumper cars. Allows you to keep the original bumper, original 71-73 Rallye fog lamps and early or late model turn signals. One piece design for easy installation. No cutting of the original body required to install. Minimal body work required. Made of high quality "hand layed" fiberglass. **Part # 15100 \$175.00**



The mirrors seen on the Opel Manta GT/E are the black 'Sport' mirrors, part # 12025.



In late 1973 Opel upped the performance ante by adding the Manta GT/E to its line up.

The exterior featured an aerodynamic front spoiler, bold side stripes and a black hood.

Under the hood was Opels newly fuel injected 1.9L which produced 105 hp, giving the GT/E a 0-62.5 time of 11.5 seconds and a top speed of 118 mph.



Left & Below: The GT/E Manta air dam. One piece design for easy installation.



Above: 1975 Manta with a GT/E front air dam with after market fog lamps and the optional 75 Opel side stripe.

MANTA, STEINMETZ FENDER FLARES

15001 STEINMETTZ MANTA FENDER FLARES: This four piece fender flare kit, developed by Opel was used by Steinmetz and by various race teams in the 70s. The Steinmetz fender flares allow you to use up to 9 inch wide wheels adding to the aggressive look of your street car, or the grip for your race car. Will fit both early and late bumper Mantas. Cutting of the original body is required. Made of high quality "hand layed" fiberglass. **Part # 15001 \$355.00**



Left: The actual Manta that Walter Röhrl raced in the then WRC and various road race tracks.

Currently this Manta is housed in Opel's Historic Collection. However, this ex-race car is not pampered, participating in many historic European racing events.



Middle Right: Manta fender flare kit.

Above: 1974 big bumper Manta with the 15001 fender flare kit installed.

Below: You may retain the rear side marker as desired. The filler neck rubber hose will need to be extended.



Above: Flared Manta with GT/E stripes and clear turn signal lenses.

ASCONA, STEINMETZ FENDER FLARES

15002 STEINMETZ ASCONA FENDER FLARES: This four piece fender flare kit, developed by Opel was used by Steinmetz and by various race teams in the 70s. The Steinmetz fender flares allow you to use up to 9 inch wide wheels adding to the aggressive look of your street car, or the grip for your race car. Will fit both early and late bumper Asconas. Cutting of the original body is required. Made of high quality "hand layed" fiberglass. **Part # 15002 \$355.00**



Left: Rallye Ascona sitting next to the Rallye Manta in Opel's Historic Car Collection. This Ascona also sees extensive use in European historic racing events.



Right:

Set of 4, Rallye Ascona fender flares. Will fit early and late bumper Asconas. Designed for 2 door Ascona sedan or Ascona wagon.

Buy a set for your wagon and be the envy at only Opel meet.



Above: Daily driver or weekend racer, the Ascona is ready for you.



Opel Manta/Ascona 1971-1975

Modell-Übersicht Model Chart

Starting Model and Chassis Numbers

(Obtaining your VIN Code is explained on a following page)

Ascona 2DR Sedan (A "commuter" Opel)	1971	51-9361001+ (Antwerp) 51-2269666+ (Bochum)
	1972	51-9544046+ (Antwerp) 51-2563456+ (Bochum)
	1973	OL11NC9764367
	1974	(Not Stated by GM)
	1975	OL11NN55057575

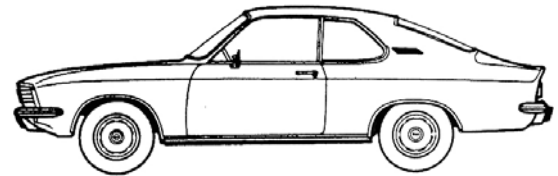
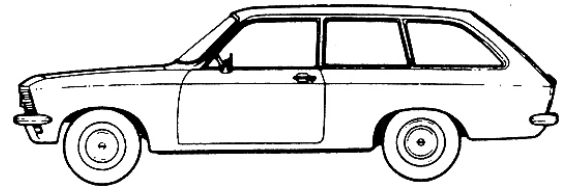
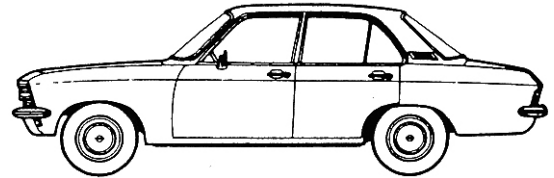
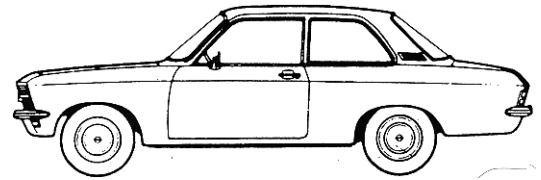
Ascona 4DR Sedan (Now quite rare)	1971	53-9361001+ (Antwerp) 53-2269666+ (Bochum)
	1972	53-9543934+ (Antwerp) 53-2560474+ (Bochum)
	1973	OL69NC9764372

1900 Series Wagon (Roomy yet agile)	1971	54-9361001+ (Antwerp) 54-2269666+ (Bochum)
	1972	54-9543823+ (Antwerp) 54-2560608+ (Bochum)
	1973	OL15NC9764363
	1974	OL15ND9018213
	1975	OL15N55057665

Manta Coupe (Some were badged "Opel" & "1900")	1971	57-9361001+ (Antwerp) 57-2269666+ (Bochum)
	1972	57-9543887+ (Antwerp) 57-2560988+ (Bochum)
	1973	OL77NC9762520
	1974	OL77ND9014780
	1975	OL77N55058366

Manta Luxus Coupe (Featured cloth interior)	1973	57L-OL77NC9769102
	1974	57L-OL77ND9020693

Manta Rallye Coupe (Noted for many unique trim upgrades)	1971	57R-9361001+ (Antwerp) 57R-2269666+ (Bochum)
	1972	57R-9543887+ (Antwerp) 57R-2560988+ (Bochum)
	1973	OL77NC9762538
	1974	OL77ND9014785

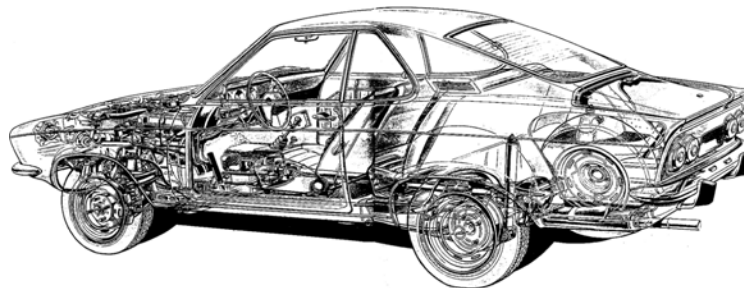


REVUE DES MODELES
LISTA DE MODELOS



Special Variations

A different VIN Code prefix of "59" applied to European-delivered Mantas.
Factory options included the 1973 "Blue Max" Manta and the "Manta GT/E" versions
Other Tuner versions included the "Broadspeed Turbo" and the "Transeurop TE2800"



Manta/1900 Identification

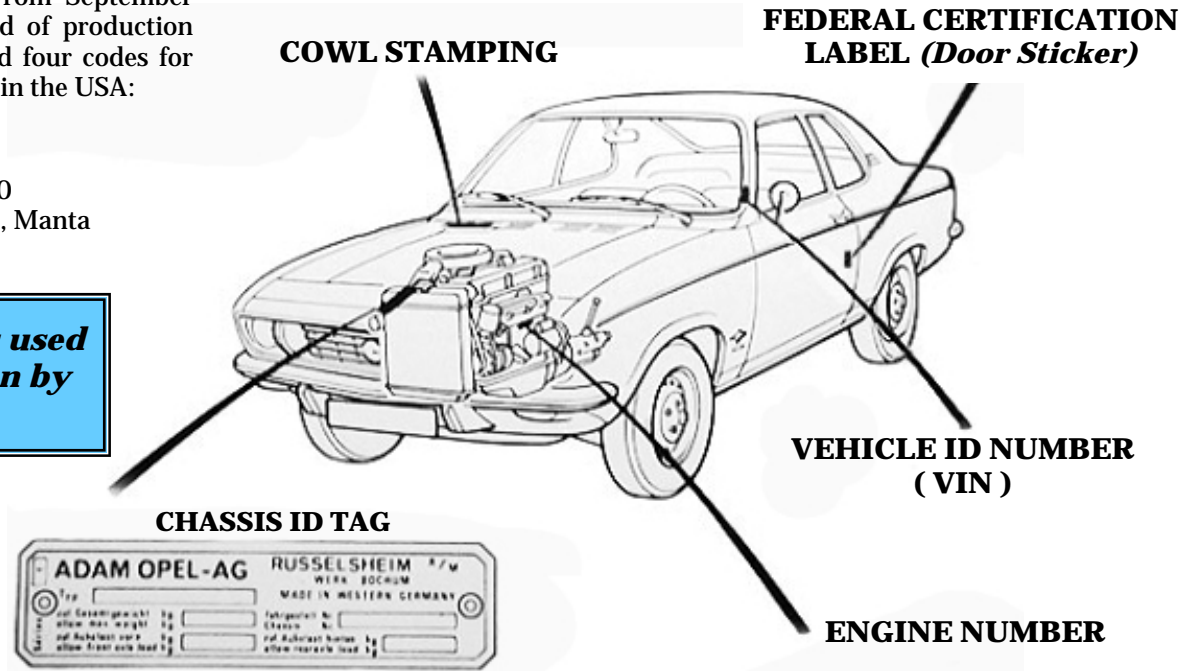
Everything you ever wanted to know, but were afraid to ask.

The 50 series line of Opel models imported into the USA had a variety of Identification Tags and Stickers. The five locations, depicted below, will guide the owner through the model and year identification process. There is also an engine tune-up sticker located under the hood, along with transmission serial number and various other date-codes stamped into the sheet metal panels. However these are not necessary in identifying the 50 series vehicle.

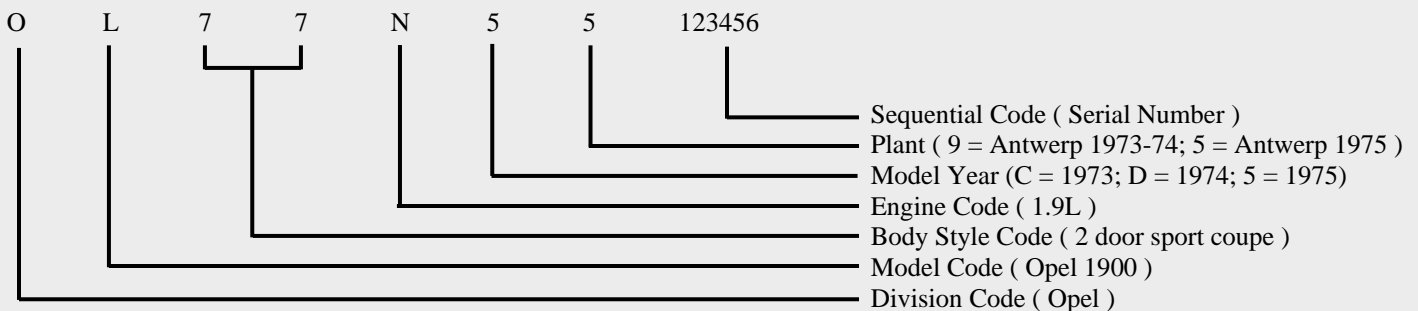
50 Series Codes. From September 25th 1970 until the end of production July 9th 1975 Opel used four codes for the 50 series Opels sold in the USA:

- 51 - 2 Door Sedan, 1900
- 53 - 4 Door Sedan, 1900
- 54 - 2 Door Wagon, 1900
- 57 - 2 Door Sport Coupe, Manta

Text and photos used with permission by Dennis G.



VEHICLE ID NUMBER DECODER 1973 to 1975



1971 to 1972 Vehicle ID Number

The key to identification is a two digit serial number prefix. The first two digits of the serial number indicate the vehicle model. The balance of the number represents the actual serial number. The number is embossed on a metal tag located on the left windshield post approximately 3 inches above the padded dash.

Example: '51123456' {51 = 2 dr. sedan, serial # 123456}

1973 to 1975 Vehicle ID Number

A new thirteen digit vehicle identification number is used on all Opel models imported for 1973. The number is again embossed on a metal tag located on the left windshield post approximately 3 inches above the dash pad.

Example illustrated above: 'OL77N55123456'

Model Name Change

In 1971 & 1972 all 50 series Opels were sold as the '1900'. In 1973, 74 & 75, model 57 received its European name 'Manta'.

Unfortunately the model 51, 53 & 54 did not receive the Ascona name for the US market, as its European cousin.

Note: The Ascona name has been adopted by many in the on-line community for clarification purposes.

Model Designations 1973-1975:

- OL11 - Opel 1900 2 door sedan (Ascona)
- OL15 - Opel 1900 2 door wagon (Ascona Wagon)
- OL60 - Opel 1900 4 door sedan (Ascona)
- OL77 - Opel 2 door sport coupe (Manta)

CHASSIS ID TAG

ADAM OPEL A.G.		RUSSELSHEIM	
		WERK BOCHUM	
Typ Mod	OPEL 1900 - A	Fahrgestell Chassis	Nr No 572234567
Zul. Achslast vorn Allow. front axle load	Kg 645	Zul. Achslast hinten Allow. rear axle load	Kg 750
Zul. Gesamtgewicht Allow. Max weight	Kg 1380	FARBE ACRYLIC COLOR	235 6H 111

Made in Belgium



Note: VIN digit three is a "2", this denotes an Opel made in Bochum, Germany

The Chassis ID Tag is riveted to the passenger side frame rail, under the hood, just ahead of the suspension mounting bolt. Tag shown actual size.

Most of the Chassis ID tag is self explanatory but a few small clarifications will be necessary. On line one top left Typ & Mod is the Type and Model. On line one top right the chassis number is the same as the Vin number and cowl stamping in both 1971 & 1972. In 1973 thru 1975 this number agreed with the cowl stamping, but the 57 was dropped on the A-pillar VIN tag with the last 7 digits matching.

Note: All weight specifications are given as the maximum allowable loads and posted in Kilograms.

Conversion; 1 kilogram = 2.2 pounds. Ie. The 1380 Kg maximum car weight (including occupants, trunk load and/or towing tongue weight must not exceed 3,036 pounds.

FEDERAL CERTIFICATION LABEL - Door Sticker

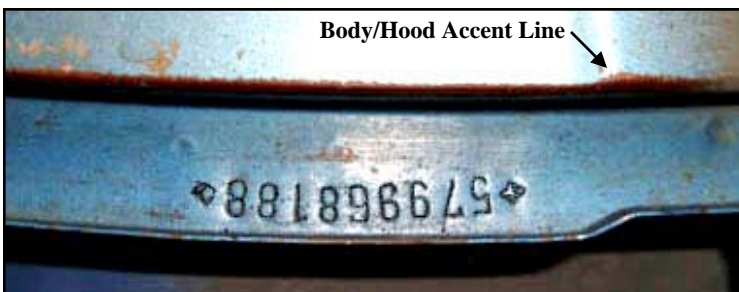
MFD BY GENERAL MOTORS CORP.		
02/74		
GVWR 3042	GAWR FRONT 1389	REAR 1653
THIS VEHICLE CONFORMS TO ALL APPLICABLE FEDERAL MOTOR VEHICLE SAFETY STANDARDS IN EFFECT ON THE DATE OF MANUFACTURE SHOWN ABOVE		
OL77ND9168965		

This label is affixed to the drivers door vertically and certifies to any government agency that this vehicle was properly built to federal standards at the time of build.

It also indicated the date of manufacture, GVWR (Gross Vehicle Weight), axle weights and should agree with the vehicle ID number on the A-Pillar of the windshield.

Note: The vehicle weights are all listed in pounds, whereas the riveted on metal plate under the hood is listed in kilograms.

COWL STAMPING



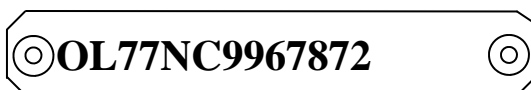
The cowl stamping is located in the under hood drip rail located about 1-2 inches away from the passenger side hood accent line.

Seen to the left, is the chassis stamping starting with code '57', after the diamond stamp indicating a Manta chassis. The digit '9' indicates an Antwerp built Manta. The last six digits are the serial number.

Note: The Stamping Numbers must be identical to the Chassis ID Tag, and match the 1971-72 VIN Tag.

Note II: 1973-75 cars the last 6 digits must match the VIN.

VEHICLE ID NUMBER - VIN



The chassis VIN Tag is located on the drivers windshield pillar approximately 1 and 1/2 inches above the padded dash. The tag is riveted on upside down so as to be easily read by law enforcement through the windshield. The tag metal tag is painted black and is 2 and 3/4" inches long. Depending upon the year of the vehicle, the tag will either read the chassis code number plus the sequential number or read the model designation code plus the sequential number. Note: Tag shown actual size.

This tag indicates a 73 Manta built in Antwerp, Belgium with a 1.9L engine

OPEL MANTA/ASCONA INTERIOR/BODY PARTS

Manta/Ascona Interior Hardware

Opel GT Source offers a few items for the enhancement of your interior.

15004 Shift Boot, 4-Speed Manual Transmission

Seal your passenger compartment from engine and driveline heat, road noise and fumes with these new shifter boots. Fits Manta, Ascona & 1900 Wagon.



15009 Front Dashmat, Manta

Cover a cracked dash, or help preserve a worn one. Woven material with a seamed edge looks good and absorbs heat and glare. Black. Fits Manta only.

15010 Rear Dashmat, Manta

Like the front dashmat #15009 above, but sits below the rear window. Black. Fits Manta only.

15013 Headliner, Manta

Vinyl. Available in White or Black. Fits Manta.

2051 Window Crank Handle

Opel service replacement window crank handle for the Manta, Ascona & 1900 Wagon. Comes with a new lock clip. This black window crank handle with chrome trim & rubber knob is the perfect solution to finish off your interior.



8047 Shift Knob, Woodgrain style

This brand new Opel shift knob, with simulated wood grain, is the correct knob for the 1973-74 Manta & 1900. Will fit all Opel 4 speed shifters.



Manta Body Rubber

Opel GT Source offers a few items to help seal your vehicle

15005 Windshield Rubber, Manta 1971-1975

Secure your front window with this moulding. (can be installed with #2010M or #2040 insert)

15006 Rear Glass Rubber, Manta 1971-1975

Secures rear glass, (uses #2010M or #2040)

2010M Chrome Insert for Manta

25 feet long, you cut it to fit groove in rubber

2040 Black Insert for Manta

25 feet long, black plastic for modern look

2019 Insert Tool (for #2010M or #2040)

15057 Trunk Rubber, Manta 1971-1975

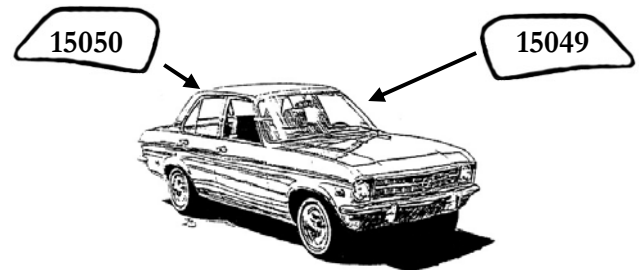
Ascona Body Rubber

15049 Windshield Rubber, Ascona 1971-1975

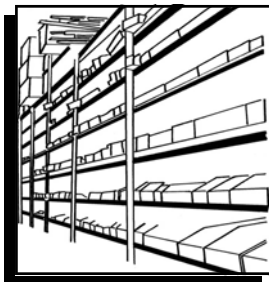
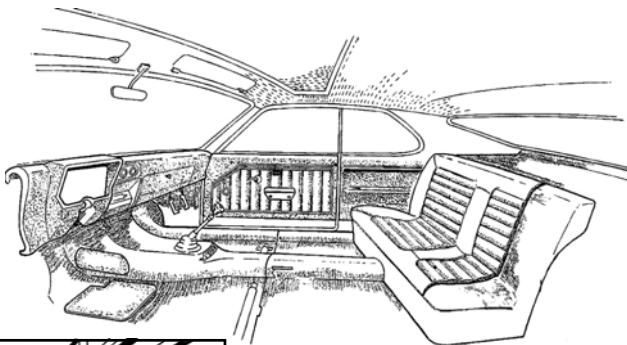
Secure your front window with this moulding. (can be installed with #2010M or #2040 insert).

15050 Rear Glass Rubber, Ascona 1971-1975

Secures rear glass, (uses #2010M or #2040)



NEED OTHER INTERIOR/BODY PARTS?



Opel GT Source also has an inventory of many various good used components for the Manta/Ascona series. Contact us with your needs.

Seat Belt Kit Part # 1033

Do you have missing, damaged, old or just plain un-safe original seat belts? Would you like to modernize your Opel and increase safety? Then this kit is your solution. One kit does one seat. Features smooth, unrestricted movement while buckled in, yet they lock up firmly when they need to.

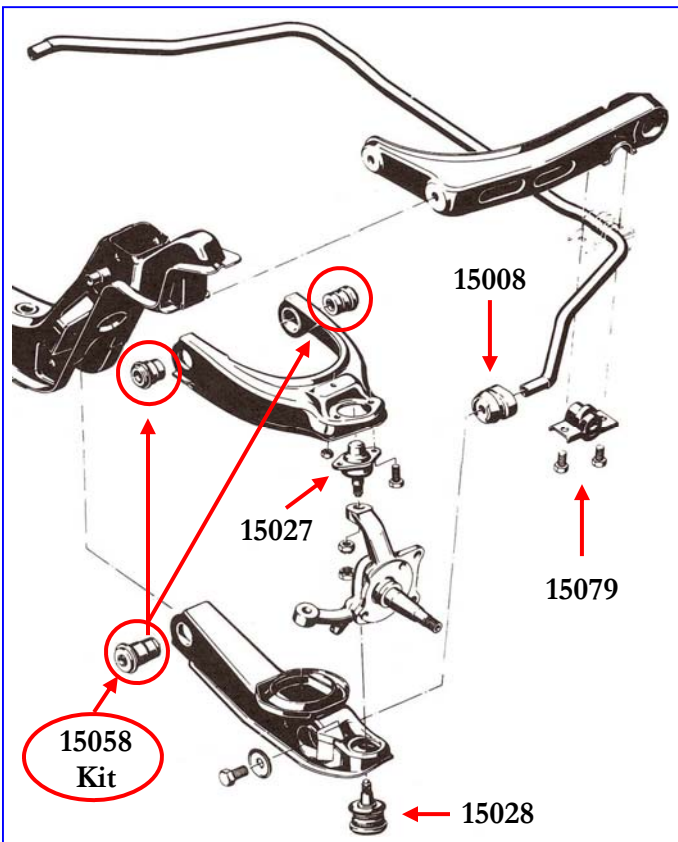
Fitment:

This seat belt kit can also be used to replace the damaged original 3-point seat belts on the 1974 and 1975 Manta and Ascona.

Note: 1971 to early 1973 Mantas with the shoulder belt mounted below the quarter window, this kit will not easily fit this application. This conversion is not advised.



Manta, Ascona, 1900 & Wagon Front Suspension Parts



Manta / 1900 Upper Ball Joint
Part # 15027



Manta / 1900 Lower Ball Joint
Part # 15028

**Rubber Bushing,
Upper Control Arm rear,
NOS.**
Part # 15047

**Rubber Bushing,
Upper Control Arm front,
NOS.**
Part # 15046

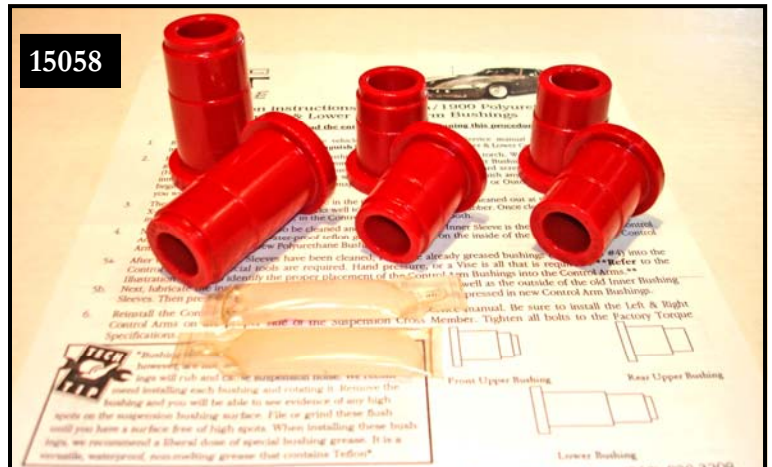
Bushing, Sway Bar to Frame
Part # 15079

This bushing locates the front sway bar to the frame for proper wheel alignment.



**Bushing, Sway Bar
to Lower Control Arm**
Part # 15008

This bushing locates the front sway bar to the lower control arm for proper wheel alignment.



Manta / 1900 Polyurethane Control Arm Bushing Set
Part # 15058

Restore the ride of your 50 series Opel Manta, 1900 or wagon with these polyurethane bushings. Kit includes: 6 control arm bushings, grease and instructions.

Manta, Ascona, 1900 and Wagon Front Suspension Parts



15007



15071 - Kit

Rack & Pinion Dust Boot(s)

Part # 15007

Part # 15071

Protect your rack & pinion from moisture, dirt and debris, with new rack and pinion boots.

Tech Tip: We strongly recommend thoroughly cleaning & degreasing the rack & pinion assembly, and completely lubricating with molybdenum grease. ie.. CV Joint Grease



3045



3046

Want to order the clamps only?

Inner Clamp, part # 3045

Outer Clamp, part # 3046

Manta / 1900 Outer Tie Rod

Part # 15026



Tech Tip: If you hear a pop or clunk in the steering rack, check for a worn passenger side sintered iron bushing.

Pinion Input Bearing

Part # 3072



3057

Pinion Input Boot

Part # 3057

3070



Sintered Iron Bushing, Passenger side

Part # 3070

Sintered Iron Bushing, Driver side

Part # 3069



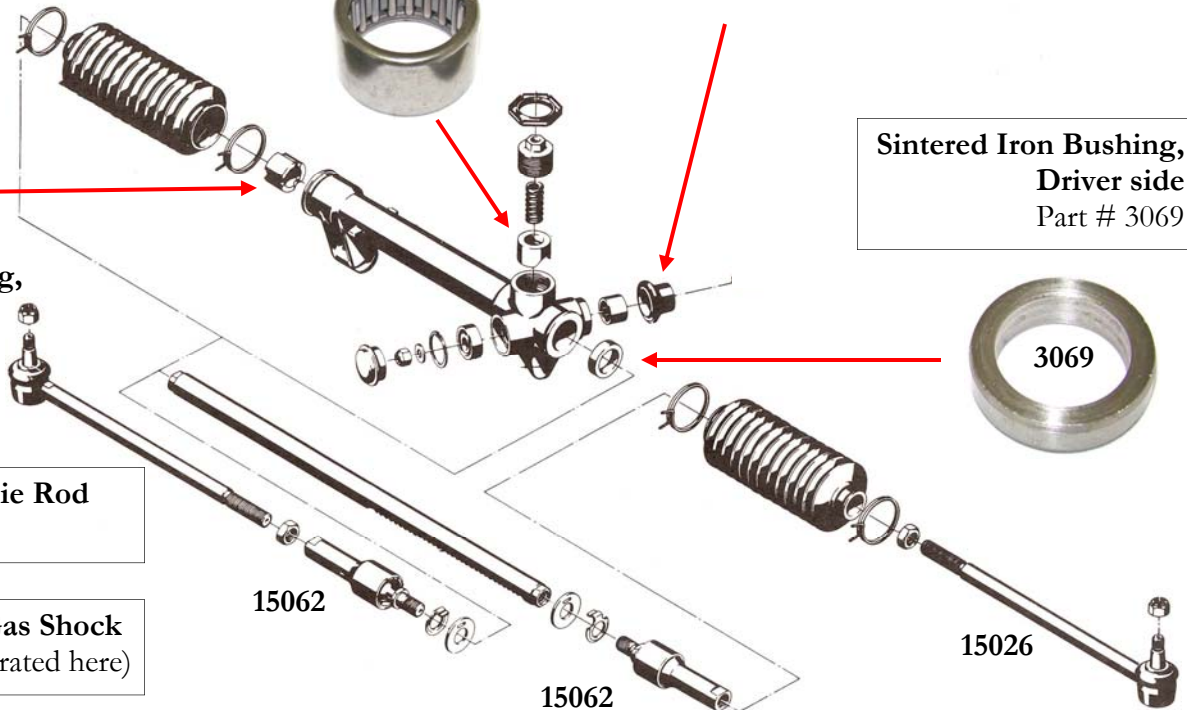
3069

Manta / 1900 Inner Tie Rod

Part # 15062

Manta / 1900 Front Gas Shock

Part # 15068 (not illustrated here)



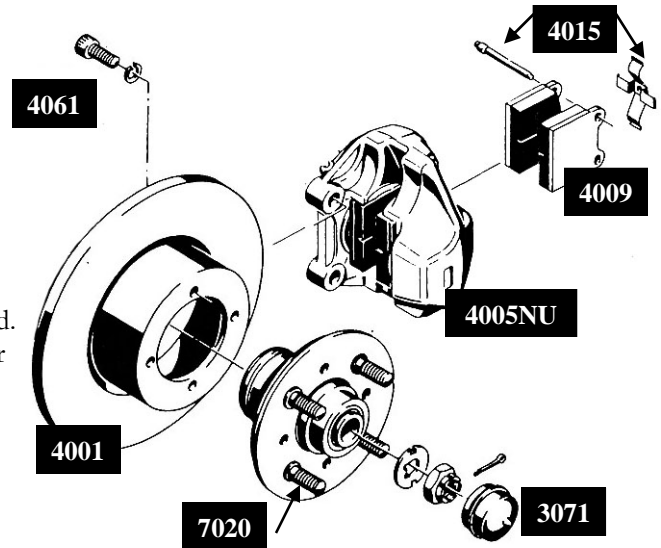
OPEL MANTA/ASCONA/WAGON BRAKE PARTS

Manta/Ascona Braking System

Listed are some parts offered by Opel GT Source for the 1971-1974 Manta/Ascona/1900 Wagon braking systems.

Front Brakes and Related Hardware

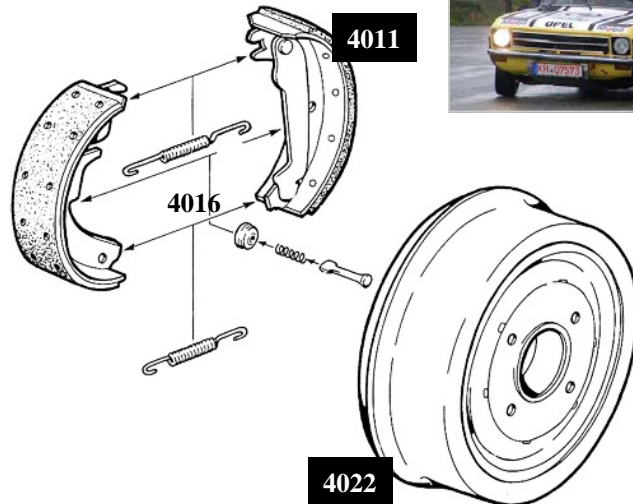
- 4001 Front Brake Rotors**
Replacement for original 1971-1974 Manta/Ascona Models
- 4005NU Caliper**
A bolt-on NEW Replacement. Caliper. No core fee required. Must specify application for Manta/Ascona at time of order
- 4009 Front Brake Pads**
Higher-quality semi-metallic, set of 4. Good for street use.
- 4015 Front Brake Hardware (set)**
- 4051 Front Brake Hose, Manta/Ascona, Rubber**
2 required per car
- 4044M Brake Hose Set (3), Metal Braided, Manta/Ascona**
- 4061 Bolt, Brake Hub to Rotor (serrated style)**
- 12014 Tool, Special Bit required to fit #4061 bolt**
- 3038 Wheel Bearing, Front Inner**
- 3039 Wheel Bearing, Front Outer**
- 3040 Seal, Inner Wheel Bearing**
Seal replacement is required when servicing hub
- 3071 Wheel Bearing Dust Cap Cover**
- 7020 Wheel Lug Stud**
- 7020XL Wheel Lug Stud, Extended 52,, length**



1975 Model-Year Manta/Asconas used larger brake parts
Alternate Parts include: #4002 Front Rotors, #4042 Calipers
 #4010 Front Pads, #4051 Front Hoses and #4025 Rear Wheel
 Cylinders (These can be searched on our website).

Rear Brakes and Related Hardware

- 4011H Rear Brake Shoes, Set of 4**
Mates with hook-style parking brake cable end.
- 4014 Rear Wheel Cylinder**
- 4016 Rear Brake Hardware**
Springs, Clips and pins which hold shoes in place
- 4020 Rear Wheel Cylinder Rebuild Kit**
- 4021 Rear Brake Hose, Manta/Ascona, Rubber**
- 4022 Rear Drum**



Master Cylinder and Related Hardware

To assure a correct application, verify the model year of the vehicle and measure width between booster studs at master cylinder. (See booster diagram in "part variation" section to see where to measure).

- 4013-22 Master Cylinder**
Fits "early style" Manta/Ascona booster
Big Bore 22mm in European design housing
- 4017 Master Cylinder Reservoir Seals**
Set of 2 for "early style" ATE Master Cylinder
- 4028 Master Cylinder Rebuild Kit**
Set of seals/pistons for "early style" ATE Master Cylinder
- 4045A Master Cylinder Cap**
Plastic design, fits "early style" ATE Master Cylinder
- 4053 Booster Check Valve**
Fits in vacuum hose to booster, replacement style.



OPEL MANTA/ASCONA ENGINE GASKETS/SEALS

If your Manta/Ascona engine has a persistent oil or coolant leak, or if you are planning to disassemble the engine for another repair or a rebuild, then Opel GT Source can provide you with the gaskets, seals and kits you will need.

Engine: Individual Gaskets

- 6006 Intake/Exhaust Gasket to Cylinder Head
- 6007 Gasket, Intake to Exhaust, square
- 6008 Gasket, Valve Cover, specify GT or Manta
- 6009 Gasket, Oil Pan
- 6010 Gasket, Water Pump, 1971-1975
- 6011 Gasket, Oil Pump, 1971-1975
- 6012 Gaskets, Timing Cover, 1971-1975
- 6013 Thermostat Gasket
- 6014 Gasket, Thermostat Housing (except 1975)
- 6015 Gasket, Cam Cover, triangular
- 6016 Gasket, Head Side Plate, square
- 6017 Gasket, Fuel Pump, use with spacer
- 6065 Head Gasket 1971-1972 (10 Bolt Cylinder Head)
- 6066 Head Gasket 1973-1975 (12 Bolt Cylinder Head)
- 6068 Head Gasket 1976-1991, 2.0 Liter Engines
- 6075 Distributor Gasket
- 6098 Gasket Set, Timing Cover, F/seal
- 6153 Gasket, Oil pick up tube. 1.9
- 10009 Exhaust Manifold to Head Pipe Gasket, 1.9L

Engine: Gasket Sets

- 6002 Complete Gasket Set 1971-1972 (10 Bolt Cylinder Head)
 - 6003 Complete Gasket Set 1972-1975 (12 Bolt Cylinder Head)
- Note: 2.0L head gaskets can be substituted with above sets (at cost)*
- 6004 Head Gasket Set 1971-1972 (10 Bolt Cylinder Head)
 - 6005 Head Gasket Set 1972-1975 (12 Bolt Cylinder Head)
 - 6070 Bottom End Gasket Set

Use of correct engine assembly procedures is critical! Custom-Written Installation Instructions are available, with orders of OGTS gasket sets.

Engine: Individual Seals

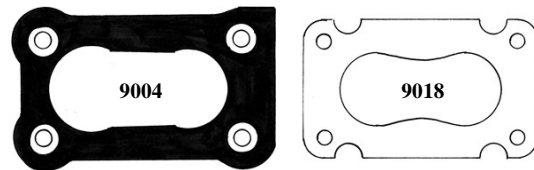
- 6018 Front Seal, fits in lower timing cover
- 6019 Rear Main Crankshaft Seal
- 6020 O-Ring Seal, Timing Cover to Head
- 6089 Special performance cup type valve seal. For Intake Valve
- 6099 "O" ring valve seal, square cut, Late model exhaust valves
- 6156 Valve Stem Seal Kit. Set of 8 for 1.9, 2.0

Important Notes

Special "Serrated bits" are required to disassemble Opel engines (OGTS #12013 & #12015, or #12016 set).

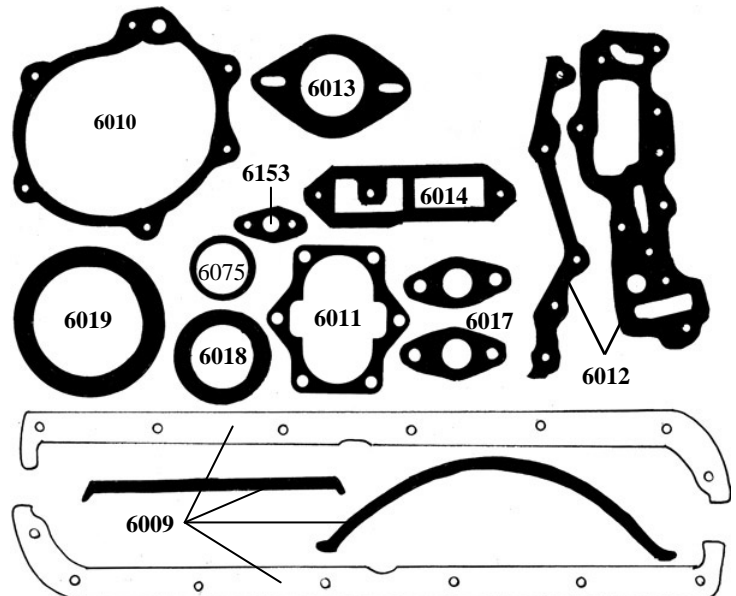
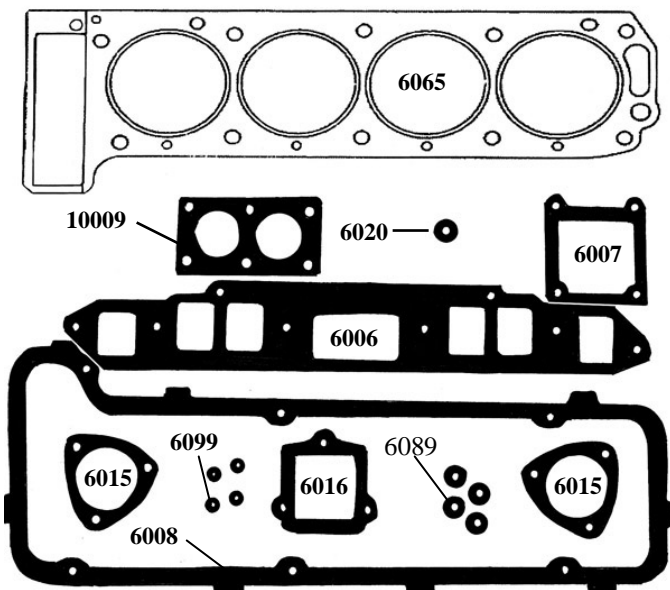
To order and receive correct engine parts, you may also need to identify whether you have an "early" 10-bolt, or a "later" 12-bolt style cylinder head.

We also strongly recommend consulting a quality Opel service manual, when performing engine services.



Also Recommended (Sold separate from gasket sets)

- 9004 "Thick" Carburetor Mount Base Gasket
- 9018 Carburetor Heat Shield Gasket (Optional)

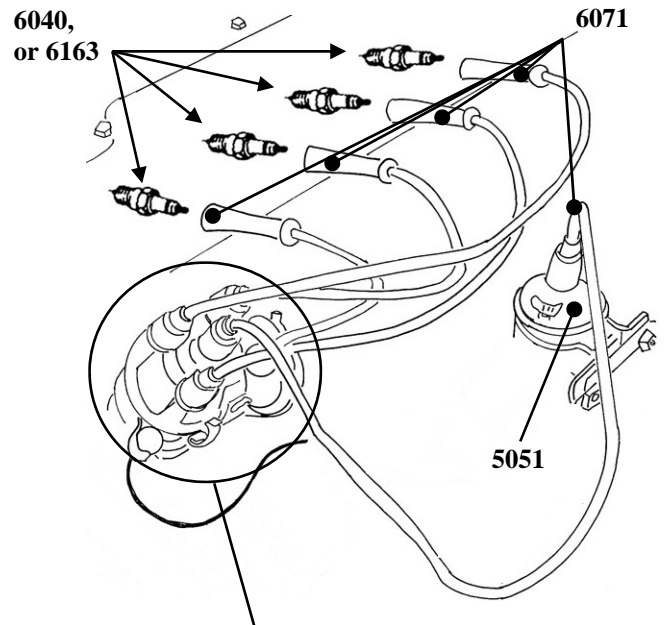


OPEL MANTA/ASCONA IGNITION & STARTING

A dependable spark is necessary to achieve drivability (from a 4-cylinder Opel engine). We suggest frequently checking the ignition point gap (using a dwell meter reading), or upgrading to an electronic ignition kit, for maximum reliability, optimum fuel efficiency, and top performance.

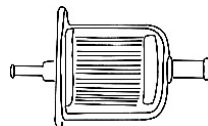
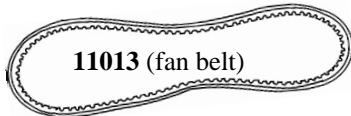
Ignition Parts

- 6040 Spark Plugs, Champion (1971-1975 style, 4 req. per engine)
- 6163 NGK Spark Plugs (Higher-Performance), Set of 4
- 6041 Distributor Cap and Rotor, 1971-1975 Styles
Rectangular indentation on inner edge
- 6078 Distributor Cap, Colored, 1971-1975 Engine
- 6042 Ignition Contact Points (1971-1974)
- 6043 Condensor 1970-1975 distributors
(specify round or square-hole mount, as seen inside distributor)
- 6071 Ignition Wire Set, Bosch 7mm silicon, pre cut.
- 5051 Ignition Coil
- 6165 Pertronics Electronic Ignition. spark control module.
Eliminates points forever! Easy to install.
- 6166 Flame Thrower Ignition Coil (Pertronix), 40,000 volts
- 6122 Allison/Crane (Optical Points) Electronic Ignition Kit

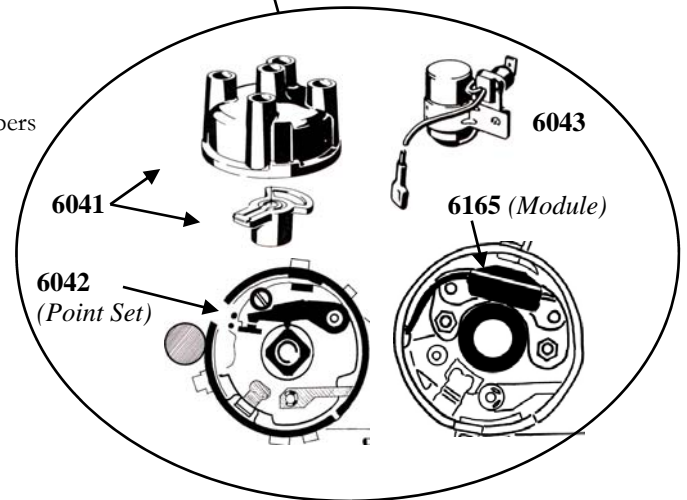


Other (Recommended) Tune-Up Related Parts

- 6039 Oil Filter
- 9003 Weber DGV Air Filter Kit
Includes air filter element & mounting hardware for DGV Webers
Best installed with our #6126 valve cover hose
- 9033 2 1/2" Weber washable replacement air filter element
- 9042 Aftermarket (Plastic) Fuel Filter
- 11013 Fan Belt (1971-1975 style)



9042 (filter)



HP "Permanent Magnet" Starter for Opels

5027PM Starter

Want a faster initial start than the factory design Opel starter can provide?
Need a quicker re-start, to get the car going again (after it has been run then parked)?
Tired of dealing with the virtually-inaccessible & frequently unreliable original starter design?
If so, consider the Permanent Magnet Starter now offered by Opel GT Source.
This is an ALL-NEW Lightweight, High Torque design (Not a rebuild, so no core fee)
Join the other Opel owners who've retired their old starter to a box in the garage!
Fits 1971-1975 Manta/Ascona/1900 Wagon 1.9L (and other CIH design) Opel Engines



Opel 1.9 Engine Tune-Up Specifications

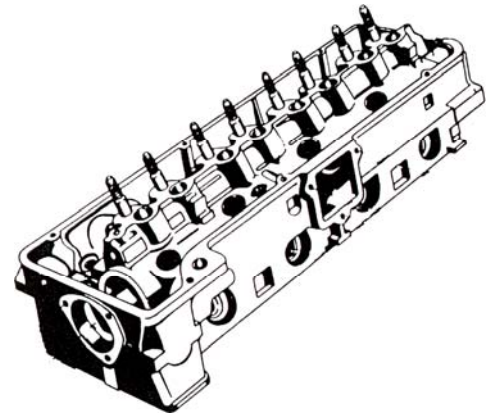
Spark Plug Gap: .030" Ignition Point Gap: .018" or 50 degrees dwell (+/- 2 degrees on a dwell meter)
Spark Plug Firing Order (Clockwise) 1-3-4-2 (#1 Spark Plug, is at engine block front, closest to radiator)
Timing: Set at Zero degrees TDC (with vacuum lines removed from distributor and hoses plugged).
(Timing also requires correct alignment of engine timing marks. Also verify there are no vacuum leaks)
Engine Compression: Factory minimum listed as 134psi; Engines run best from 136 to 180psi.

OPEL MANTA/ASCONA ENGINE REBUILD PARTS

Opel GT Source offers an extensive line of new internal engine components, to assist you with the planning and completion of an engine rebuild for your 1971-1975 Opel Manta, Ascona or 1900 Wagon.

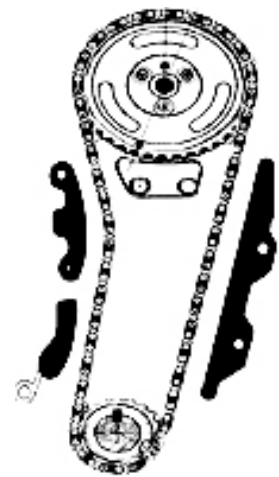
Cylinder Head Parts

Opel GT Source offers gaskets, seals, bolts, internal plugs and other hardware for the Opel 1971-1975 cylinder head. We also offer camshafts, valves, valve lifters and other valve related hardware, rocker nuts and rocker arm related hardware, "break in" and maintenance lubricants.



Timing Cover Parts

Opel GT Source offers gaskets, seals, bolts, internal bolts and other hardware for the Opel 1971-1975 timing cover. We also offer timing chains, timing gear hardware, tensioners and guide rails, as well as many parts mounted externally on this cover.

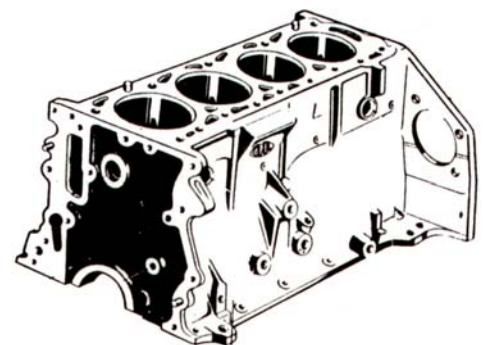


Engine Block Parts

Opel GT Source offers gaskets, seals, pistons, rings, bearings, bolts, and freeze plugs for the Opel 1971-1975 cylinder block. We also offer other unique hardware required by the Opel-design block.

Engine Upgrade Parts

Many Opel owners decide that when they are planning on rebuilding their 1.9 engine, that it's a good time to install some higher-profile parts to obtain more power. Some additional notes on this topic are presented on the following page.



Peripheral Performance Upgrade Parts.

Opel GT Source also offers higher-performance carburetion, ignition and related components.

Additional part listings and details are available by consulting our written "part list" guides and searching our website at: <http://www.opelgtsource.com>



OPEL MANTA/ASCONA 2.0L ENGINE UPGRADE

Does your engine have low compression numbers, produce smoke, or suffer poor acceleration (particularly going up a hill)? Does your Opel drive like it "wants" to go faster? If so, it's time to plan for your engine rebuild and upgrade.

The Opel 1.9 cam-in-head is a very strong design, and most Opel 1,9 engine blocks featured a forged steel crankshaft and rods—these are well worth extracting as much power as you can get out of them. These cars were also specifically engineered for performance (the Manta's suspension causes it to handle very well at speed!)

It also seems like there are an overwhelming number of (sometimes confusing) opinions on the best way to achieve that. Some advocate swapping non-Opel engines (which require changes to the firewall, mounts, sensors/gauges, fuel/exhaust, steering, etc).

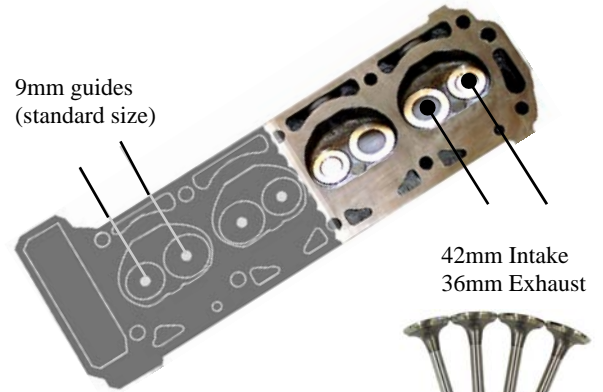
But rather than "experiment", we've noticed that the happiest owners are those who've achieved their results quickly while retaining their vehicle's integrity, road feel, resale value, and original "soul" in the process (with bolt-on parts that kept their drivetrains all-Opel).

Experience has shown, that the most economical power upgrade option for 1.9 Opel engines, is the combined installation of larger Opel 2.0 liter valves with high-compression 2.0 liter pistons in conjunction with a street-performance camshaft with hydraulic lifters. This combination provides added performance that everyone can afford. The quicker response also really makes a difference in terms of power-to-weight ratio, when added to the Opels light ~2000lb. chassis.

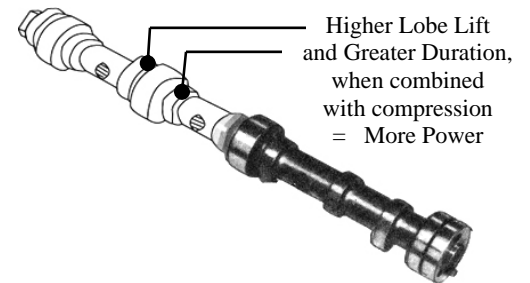
You can also consider additional enhancements (with our fuel system upgrades, ignition timing upgrades, and so on).

This 2.0 Liter Opel engine upgrade has been performing reliably and successfully for over 30 years now. Some of the benefits include how the 2.0 engine build is compatible with all the hardware that is attached externally to original Opel 1.9 engines, and how it retains the original weight balance the Opel was designed for.


There are some critical year-to-year internal engine part and application variations, so call Opel GT Source to custom-design your Opel Manta/Ascona engine upgrade today.



"Transform" your 1.9 head, with larger 2.0 valves and a performance-designed camshaft.

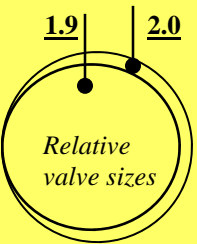


"Build" up your 1.9 Block, with new high-compression 2.0 pistons (shown with rings and pins)



Opel Engine Specifications:
 1971-1974 1.9L = 78bhp (factory rating)
 2.0 LE upgrade = 110bhp

Opel Valve Size Comparison:
 1.9L Intake/Exhaust = 39mm/33mm heads
 2.0L Intake/Exhaust = 42mm/36mm heads





OPEL MANTA/ASCONA/WAGON "Torque Tube"

When a "thump" is heard and felt when accelerating, it's time to lift your car and have a close look at your Torque Tube assembly.

Components must be replaced when the "donut" develops deep cracks or when a bushing fails (such as when the rubber separates from its round metal end). Left unrepaired, metal fatigue can crack the bracket or allow wear on your pinion gear splines. Opel GT Source now offers a line of heavy-duty parts which can be installed for a more durable repair.

7006HD CENTER SUPPORT DAMPING RING

1.9L Torque tube donut, heavy duty stiffer style. Cushions rear drive shaft in the center support assembly.

7008 CENTER SUPPORT BEARING

New Bearing fits inside the 1.9L torque tube donut in the center support assembly. Replacement helps achieve a thorough restoration of this critical joint. Comes with special installation instructions.

7010 UPPER STOP, HEAVY DUTY

Durable polyurethane replacement stop, to handle stress here. Once installed at inside top of bracket, it provides long-term service.

7011 U-JOINT LOCK PLATE

Replacement helps save your vulnerable rear u-joints from damage from overtorquing or loosening of the nuts. Two (2) required.

7018 PINION SEAL

Located between torque tube and rear differential. Good item to replace when the torque tube is already removed. Helps prevent failure of your valuable differential and axle bearings by controlling leakage of gear oil in the rear end.

7019 SUPPORT BUSHING, HEAVY DUTY

New heavy-duty style, replaces the vulnerable original version. Two (2) required. New Opel parts. Also helps handle impacts from torque of higher-performance Opel drivetrain adaptations.

7035 BOLT

Torque tube to differential, allen head style.

12013 SPECIAL TOOL

Unique bit, required to remove torque tube bolts (to rear axle).

Recommended Tools

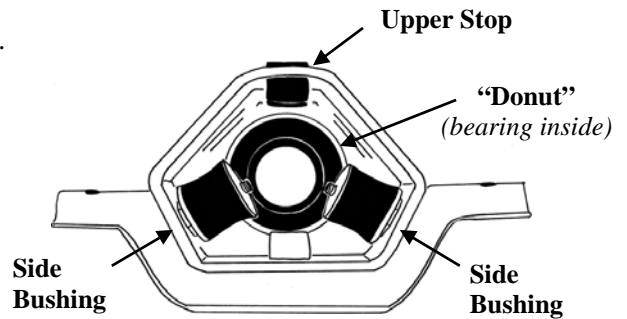
Torque Tube Service is much easier when using these tools

#12013 Special Bit
Not a "Torx" style, but a 12-point bit used on torque tube bolts (to differential)



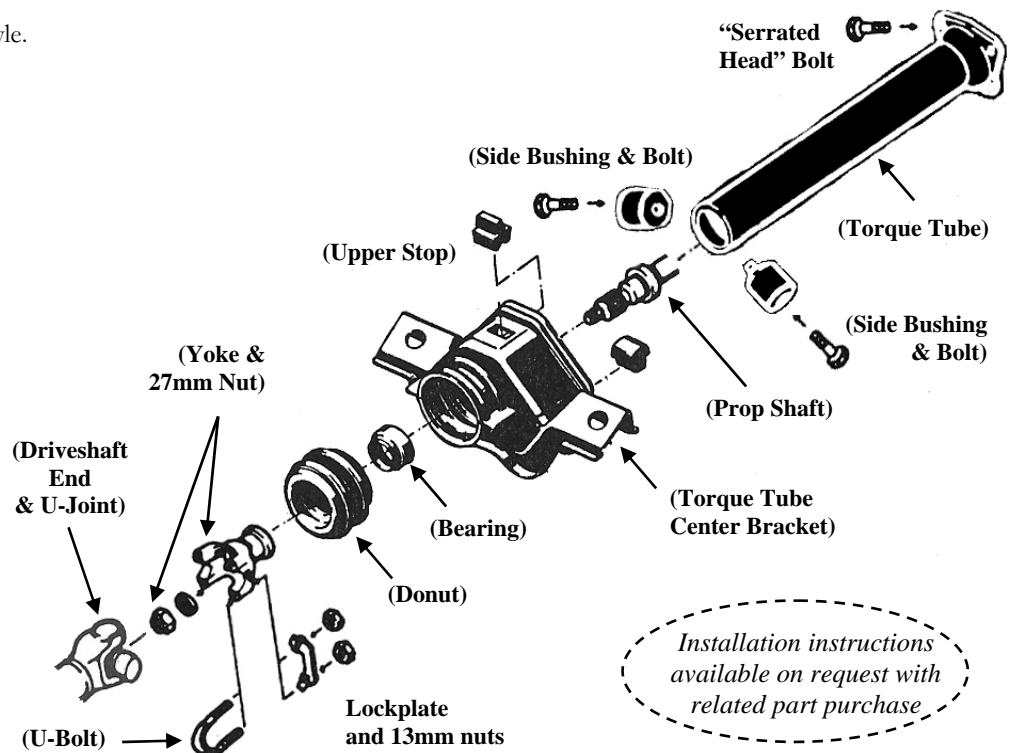
Seal Puller Tool
Use to remove pinion seal from differential





Torque Tube Assembly

(As seen from underside of car, looking forwards)



Installation instructions available on request with related part purchase.

1971 - 1975 REAR AXLE RELATED COMPONENTS

Axle Bearing, 1971-75

Part # 7012

Sealed axle bearing. Also requires the replacement of the 7013 seal and the 7014 bearing retainer.

Fits: 1971-1973 Opel GT
1971-72 1.9L Opel Kadett
1971-75 Manta & 1900

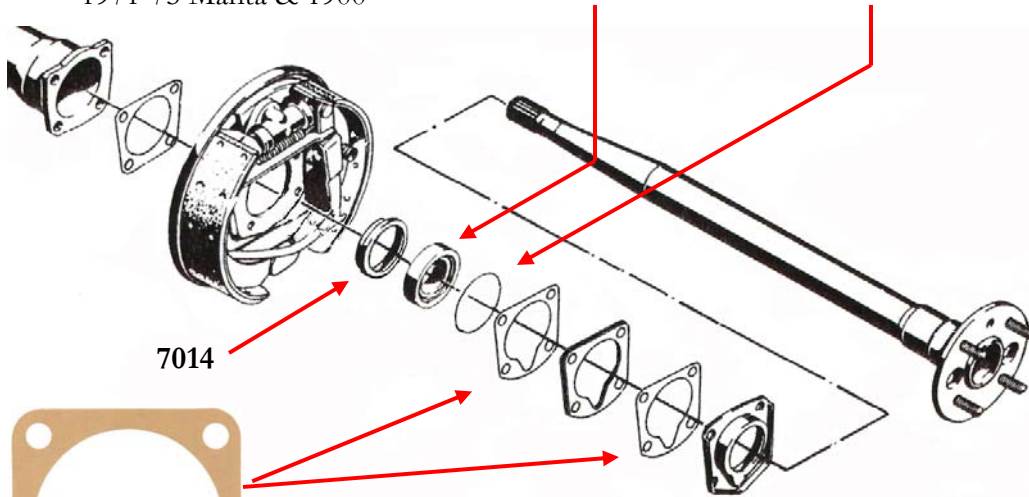


"O" Ring Seal, 1971-75

Part # 7013

Axle seal. If you have a leak at your rear axle, this small 'O' ring seal may be the cause.

Fits: 1971-1973 Opel GT
1971-72 1.9L Opel Kadett
1971-75 Manta & 1900



Retainer, 1971-75 Axle Bearing

Part # 7014

Required when replacing the 7012 axle bearing on your late model axle.

Fits: 1971-1973 Opel GT
1971-72 1.9L Opel Kadett
1971-75 Manta & 1900



Gasket, Backing Plate to Retainer Plate 1971-75 Part # 7025

This gasket is located between the backing plate and the mid plate, and from the mid plate to the retainer plate.

Pinion Seal 1.9L

Part # 7018

If you have an oil leak coming from the torque tube area, this seal is the culprit.

Lower Spring Hat

Part # 3044 (2 required per car)

Manta / 1900 Rear Gas Shock

Part # 15069 (not illustrated here)

Sport Rear Suspension Bushing Set (Manta/Ascona/Wagon)

Durable Polyurethane helps cure "wheel hop" in corners.

Part # 3025

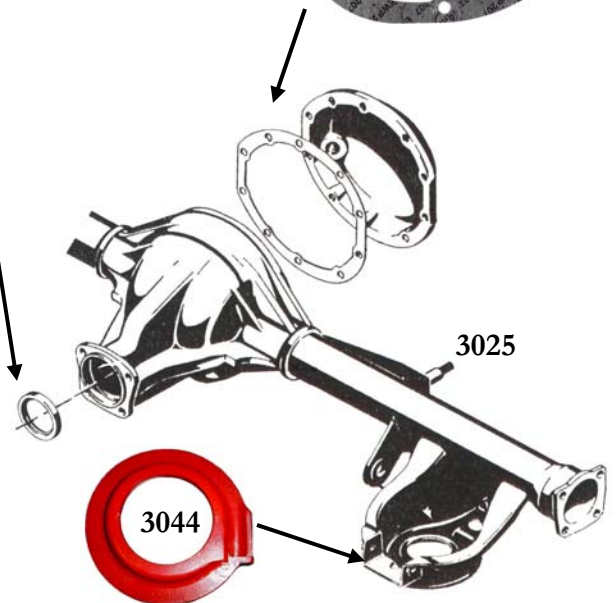
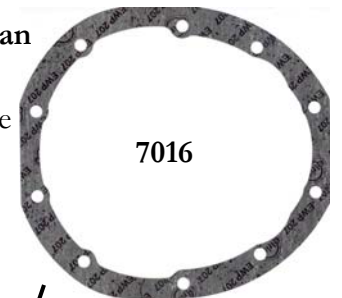
(We also carry original rubber replacements, as #7017 and #7023)



Gasket, Rear Axle Pan

Part # 7016

If you have oil seepage from the differential cover, this gasket will need replacement.



OPEL MANTA/ASCONA TRANSMISSION PARTS

For any operation of the Opel manual transmission, it is critical that fluid leaks be corrected promptly.

To identify leaks, top off gearbox with conventional 85/90W oil, then place a clean sheet of cardboard underneath a parked Opel.. If oil spots appear the next morning, replace gaskets and seals.

4-Speed Transmission: Gaskets, Seals, Mounts

8008 FRONT CUP SEAL

8009 REAR SEAL

8010 SHIFTER SHAFT SEAL

4 speed shifter shaft. Right or left. Two per transmission.

8011 FRONT GASKET

8012 PAN GASKET

8013 REAR GASKET

8036 SPEEDO DRIVE O-RING OUTER SEAL

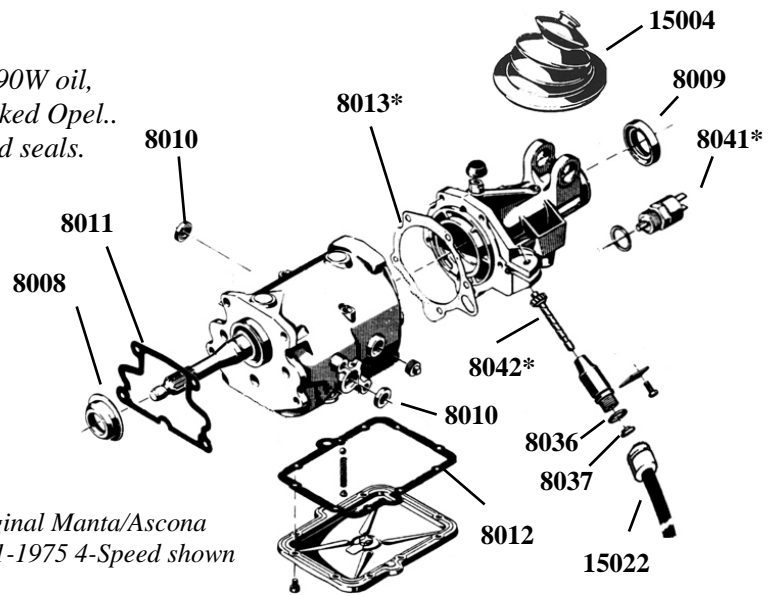
8037 SPEEDO DRIVE INNER CUP SEAL

For speedometer drive gear.

7003 TRANSMISSION MOUNT, Early Style Manta/Ascona 4-Speed

15051 TRANSMISSION MOUNT, Later Style Manta/Ascona, Round "cup" type

15022 SPEEDOMETER CABLE, Manta/Ascona 4-Speed (Measure length to match)



Original Manta/Ascona
1971-1975 4-Speed shown



15051

Automatic Transmission: Seals, Mounts & Hardware

Automatic Transmission function and longevity requires maintenance, including filter replacement every 12-24,000 miles.

Sealing against fluid leaks is necessary for slip-free operation.

Sealing of vacuum leaks at the intake manifold and elsewhere is also critical, as the ability of the Opel auto trans to shift into higher gears is controlled by a vacuum modulator.

8045 AUTOMATIC FILTER KIT

For required maintenance. Includes pan gasket.

8036 1.9L SPEEDO DRIVE O-RING OUTER SEAL

8037 1.9L SPEEDO DRIVE INNER CUP SEAL

For speedometer drive gear.

8042 SPEEDO DRIVE GEAR, BLUE

For use with 3.44:1 (non-Rallye) rear axle. Fits in extension housing.

8050 SEAL, Front transmission to torque convertor.

8051 SEAL, Rear transmission to drive shaft. Automatic.

8069 SEAL, Automatic Shifter Shaft

8075 O-RING SEAL, Automatic Detent Cable

8052 O-RING SEAL, Automatic Transmission Dipstick Tube

8053 AUTOMATIC TRANSMISSION VACUUM MODULATOR

The vacuum modulator senses engine load to properly downshift the automatic transmission for over-taking and climbing steep hills.

8031 AUTOMATIC FLYWHEEL (FLEX PLATE) w/Ring Gear

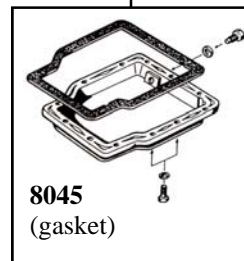
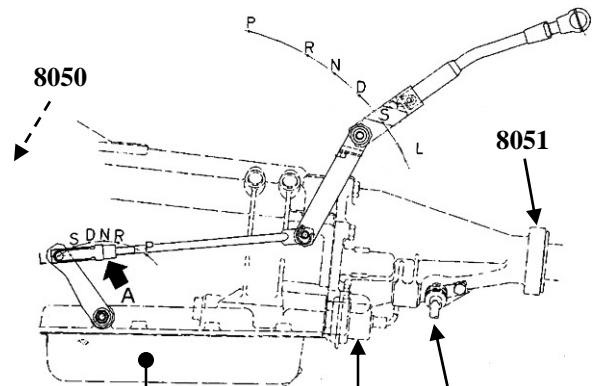
8048 TRANSMISSION MOUNT, Early Style Manta/Ascona Auto Trans

15051 TRANSMISSION MOUNT,

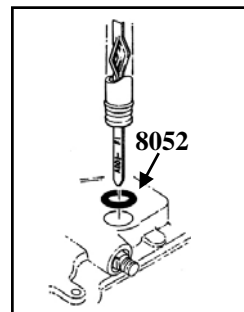
Later Style Manta/Ascona Auto Trans, Round "cup" type

15022 SPEEDOMETER CABLE, Manta/Ascona Auto Trans

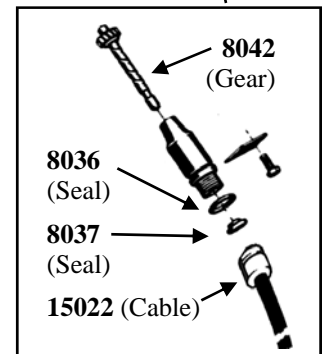
(Measure length to match)



8045
(gasket)



8052



8036
(Seal)

8037
(Seal)

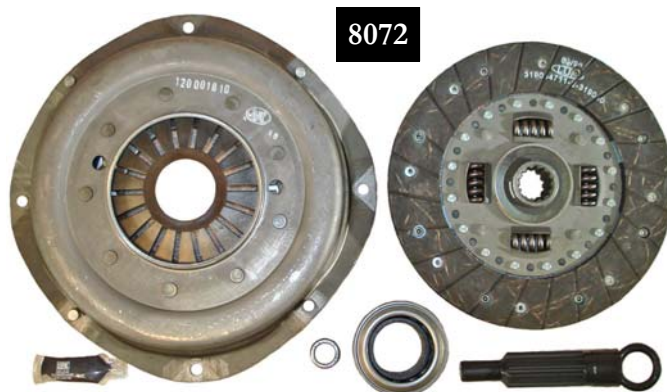
15022 (Cable)

8042
(Gear)

OPEL MANTA/ASCONA & 1900 CLUTCH PARTS

The 8-inch clutch originally installed on the Opel 1.9 liter is a sturdy and proven design which can handle up to about 120hp. If the car has trouble moving forward when being accelerated or if scraping or chattering sounds are heard when the clutch pedal is depressed, it's time to inspect and replace the clutch.

(Unfortunately, we've also heard of another type of "howl" - that from Opel owners who went to all the trouble of disassembling their clutch—but tried to save money by not doing a correct and thorough job —and who learned to their horror that they had to do it all over again!) To avoid this, Opel GT Source saves you time and money, by providing only quality clutch parts along with custom-written installation notes.



1.9L Clutch Kit from Opel GT Source

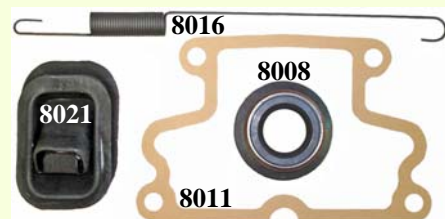
New 8 inch Clutch Kit, 1.9L

Part # 8072

Brand new high quality imported 8-inch clutch kit for your Opel. Includes a new pressure plate, clutch disk, release bearing, pilot bearing, and a clutch alignment tool. (So you can do a thorough job, we also include a front transmission gasket for free). We also suggest considering replacement of your engine seal #6019, and transmission seals as it's much easier when related parts are already apart).

You also may want a front seal, clutch fork boot, a new shift boot, or other related parts in combination with your clutch job.

If so, we have you covered at Opel GT Source.



1.9L Clutch Related Parts, Individual

#8006 Pilot Bearing

#8007 Clutch Bearing Sleeve

#8008 Front Cup Seal

#8023 Clutch Cable Grommet

#8024 E-Clip for Clutch Cable

#8035 Clutch Release Bearing

Brand new high quality release bearing.

#8004 New 8 inch Clutch Disk, 1.9L

Brand new high quality 8 inch clutch disk.

#8057 Clutch Alignment Tool

Helps align disk for easier transmission reinstallation.

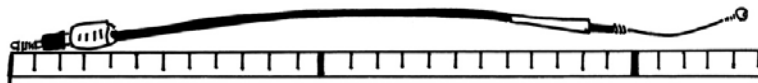
#15004 Shift Boot

New, fits Manta/Ascona 4-speed transmission shifter.



Manta/Ascona Clutch Cables (Part #15023, #15024 or #15024)

Three individual clutch cable lengths were originally installed on Manta/Ascona's between 1971 and 1975 models. To search our inventory for a match, we may ask for the VIN chassis number, model year or length of your cable (measured end-to-end).



OPEL MANTA/ASCONA FUEL SYSTEM PARTS

Original Solex 2-barrel carburetors can run well and offer good fuel efficiency, when they have relatively low miles on them and are undamaged.

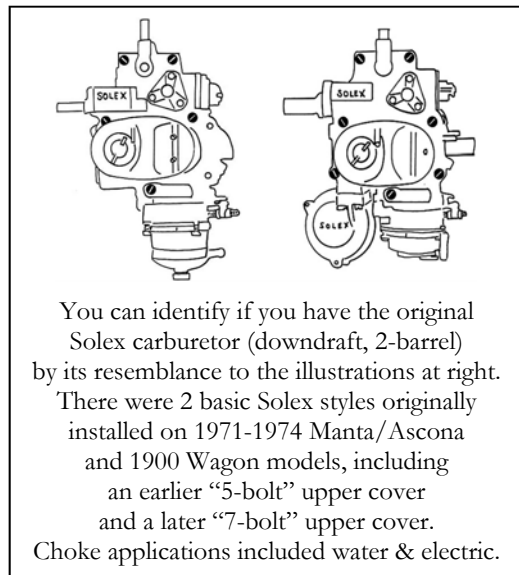
Opel GT Source stocks selected parts for the Solex carburetors, for those owners who wish to retain their Opel's original components.

Solex Carburetor Rebuild Kits

For:
Manta/Ascona/1900 Wagons

9021 Solex Rebuild Kit,
(1971-1974 1.9 liter engines)

(To match, specify if your upper carburetor cover has a 5-bolt or 7-bolt original design)



Fuel System Hardware

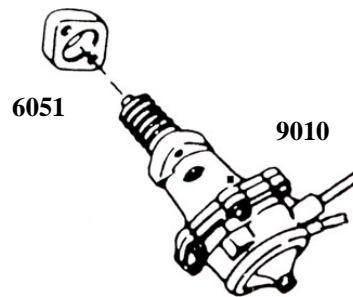
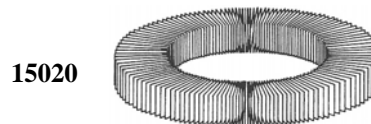
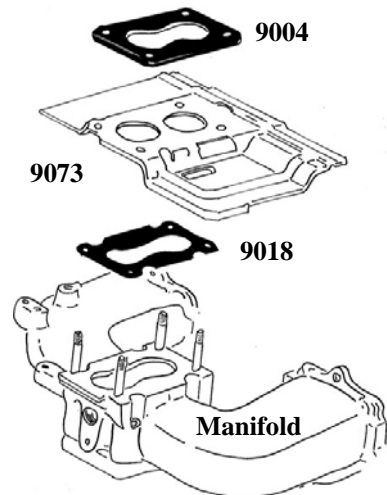
Fuel systems of classic vehicles are demonstrating symptoms that they now require increased maintenance and mounting upgrades to function with today's fuels (which have lower octane ratings and increasing ethanol blends).

- 9004 Thick Carburetor Gasket**
Thicker gasket helps to isolate carburetor base from heat. Works best at sealing vacuum when gasket sealer is also applied.
- 9073 Carburetor Heat Shield (Metal Plate Reproduction)**
Approx 8" square, helps isolate carb base from heat.
- 9018 Thin Carburetor Gasket**
When heat shield is installed, sits between shield and manifold.
- 9042 Fuel Filter, Aftermarket Clear Plastic**
"See through" design helps you to quickly identify vapor lock or fuel starvation (if it occurs) or for presence of rust in system.
- 12017 Permatex "High Tack"**
1.75oz. Tube of recommended sealer, offered as convenience item.
- 15020 Manta/Ascona/1900 Wagon Air Filter Element**
Round element fits original 1973-1974 model year air cans.
- 15060 Throttle Cable (1971-1974)**
Fits carbureted Manta/Ascona/Wagons, "Bar End" style.

Fuel Pump

Opel carburetors require a minimum of 2.5psi for function. Unfortunately, owners have reported a high failure-rate of the "flat top" style pumps that have been distributed domestically in recent years. In response, Opel GT Source commissioned special production runs of high-quality imported fuel pumps to assure system performance.

- 9010 Fuel Pump**
Mechanical-style replacement pump for carbureted 1.9L Opels.
- 6051 Spacer Plate**
Required for installation of above #9010 Opel fuel pump.



Unfortunately, because they are mounted on top of the hot exhaust manifold, air passages inside the all-aluminum Solex body typically become warped by heat, and cause the carburetor's operation become unreliable (with symptoms of difficult starting and an inability to maintain a consistent idle speed). Internal part failures are also common. If and when this occurs, we advise an Opel owner to consider replacement with an aftermarket Weber carburetor.

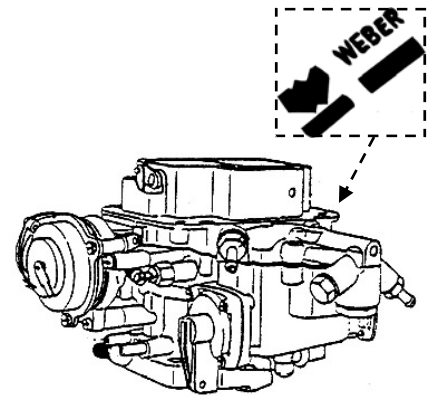
OPEL MANTA/ASCONA WEBER CARB

For reliable and trouble-free daily operation, replacement aftermarket Weber carburetors have been the preferred choice for Opel owners for over 30 years.

Weber carburetors are better-built, more heat-resistant, and have been proven on the road to provide more power and efficiency for Opels (since the 1970's).

Important decisions for your Opel, include your choice of the correct model of Weber (to fit your Opel engine application, driving style, climate and altitude and selection of the correct "source" to obtain a trademarked and quality-proven European-made carburetor (compared to some "licensee" Asian versions).

Weber options include the choke style (#9017 electric, #9016 water, or manual), air filter style (#9003 basic kit, #9019 adaptor to the original filter, or #9063 cold-air induction), and other hardware. These can be viewed on our website.



(Look for) Carb-Top Weber Trademark
(verifies you have a real European-made Weber)

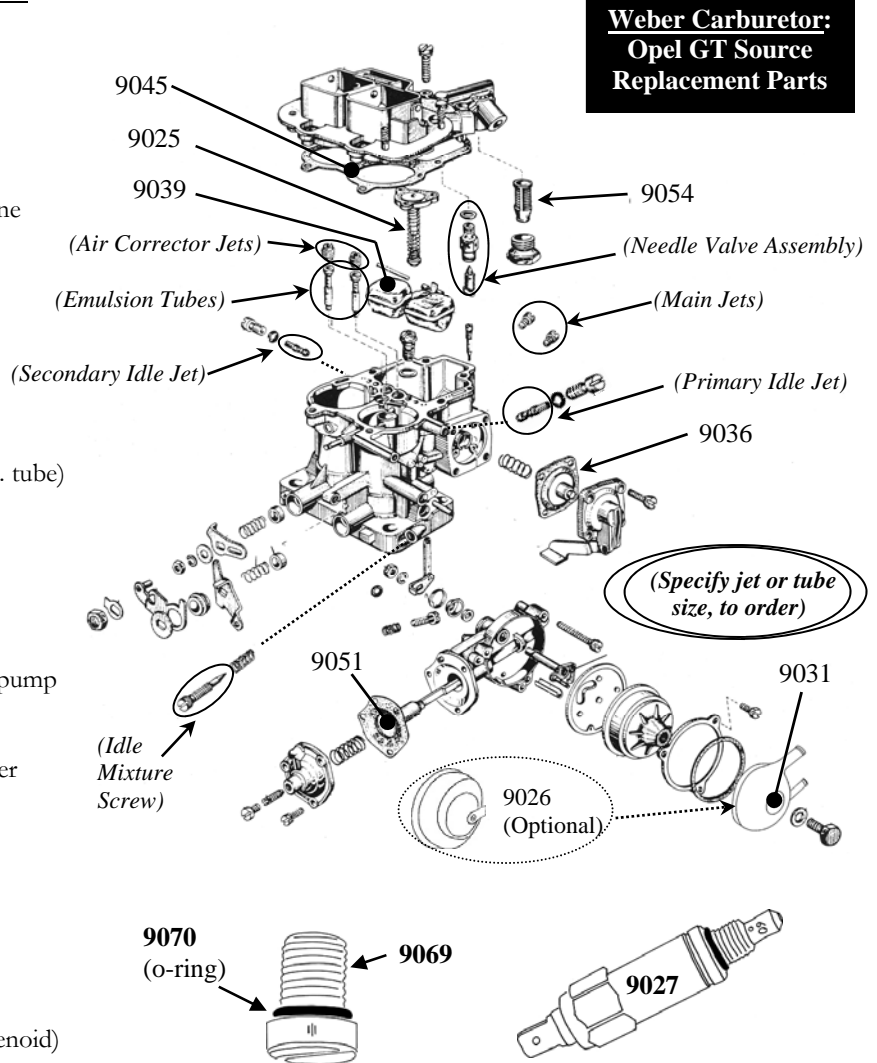
We suggest contacting Opel GT Source to discuss a best application for you

Aftermarket Carburetor Mounting Hardware

- 9004 Thick Carburetor Gasket
Recommended for vacuum sealing & heat insulation
- 9018 Carburetor Heat Shield Gasket
Required if the (optional) heat shield is installed
- 9073 Heat Shield (new reproduction item)
- 9005 Passenger Side Throttle Grommet, Polyurethane
- 9006 Driver Side Throttle Grommet
- 9008 Fuel Filter, fits 1971-1972 Opels
- 9042 Aftermarket plastic fuel filter, fits in hose line.
- 9009 Fuel Filter, 3 fittings, fits some 1973 Opels
- 9029 Linkage Bracket Adaptor, for Weber DGV
- 9060 Ball Nut for Carb Linkage connection
- 9011 Accelerator Linkage Lock Spring, Opel GT
- 12017 Recommended Gskt Sealer "Hi-Tack" (1.75oz. tube)

Replacement Parts for Weber DGV-series downdraft carburetors:

- 9020 Weber DGV Rebuild Kit
(Includes 9036, 9045 and other parts)
- 9020A Weber DGV Rebuild Kit that includes power pump
- 9025 Weber DGV Power Pump (not in #9020 kit)
- 9026 Electric Choke Conversion, for Weber DGV
- 9027 Anti-Diesel Solenoid, "Smog Legal" type Weber
- 9031 Weber DGV Water Choke Housing
- 9036 Square Weber accelerator pump diaphragm.
- 9039 Weber DGV float, plastic.
- 9045 Weber DGV Float Bowl Gasket
- 9051 Diaphragm, Weber choke cut off.
- 9054 Filter, Weber Inlet
- 14019 Weber Carburetor book.
Service manual for Weber carbs.
- 9069 Weber Idle Jet Holder (Can replace #9027 solenoid)
- 9070 Weber Idle Jet O-ring (specify diameter size)



We also offer higher-output Weber carbs for performance-built Opels. For more information, consult the Opel GT Source website

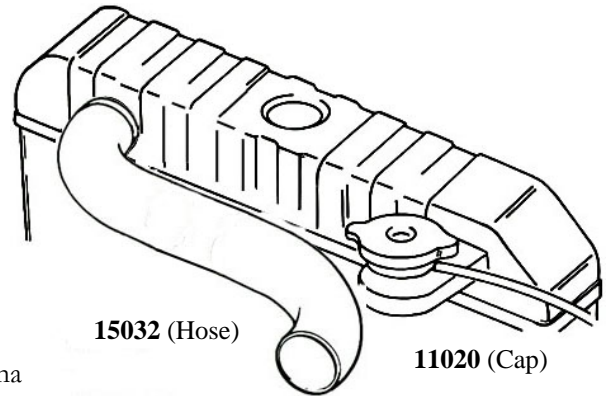
OPEL MANTA/ASCONA COOLING SYSTEM

Manta/Ascona Cooling System Hardware

Opel GT Source offers an inventory for some of the more common 1971-1974 Manta/Ascona cooling system maintenance needs.

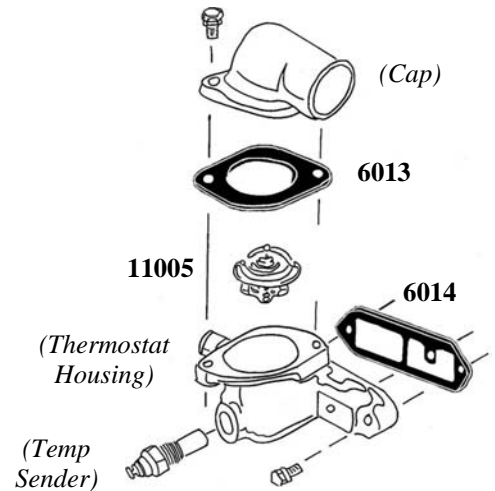
Hoses

- 15032 Upper Radiator Hose**
Applies to 1971-1974 Manta/Ascona Models
- 15033 Lower Radiator Hose**
Applies to Side-Outlet Radiators in 1971-1974 Manta/Asconas
- 11013 Heater Hose**
Formed 90-degree bend. 2 required for 1971-1974 Manta/Ascona



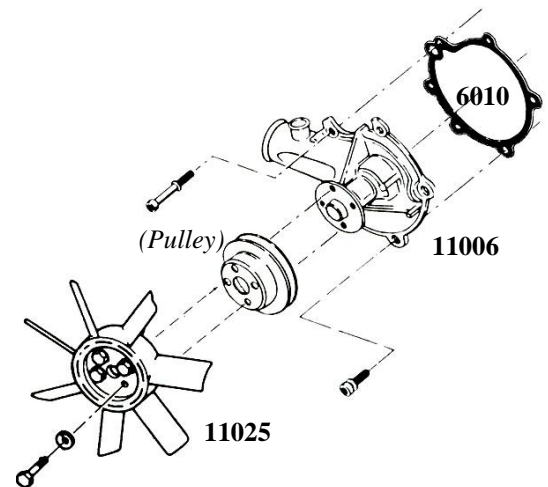
Thermostat and Gaskets

- 6013 Gasket, Thermostat to Housing**
When heat shield is installed, sits between shield and manifold
- 6014 Gasket, Thermostat Housing to Cyl Head**
When heat shield is installed, sits between shield and manifold
- 11005 Thermostat**
Select Heat Range: 160 or 180 degrees



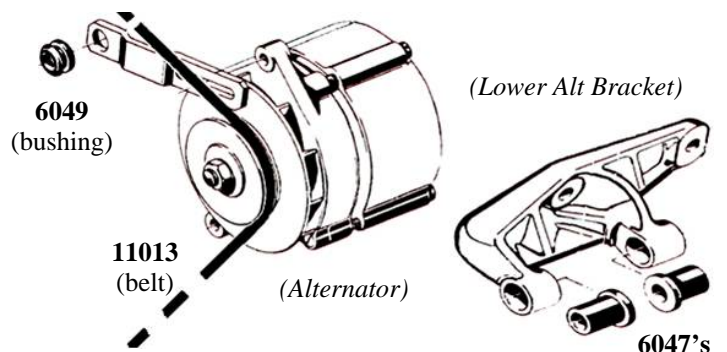
Water Pump and Related

- 11006 Water Pump**
Replacement model, includes #6010 gasket
- 6010 Water Pump Gasket**
When heat shield is installed, sits between shield and manifold
- 11025 Fan Blade**
Quality reproduction of plastic Opel 7-blade design
- 11013 Fan Belt**
Replacement model, fits original 1971-1974 Manta/Ascona
- 6047 Alternator Bracket Bushing, Lower**
2 required per vehicle
- 6049 Alternator Bracket Bushings, Upper Kit**



Additional Cooling System Hardware and Related

- 11008 Lower Radiator Mount**
Screws into lower bracket of radiator
- 11020 Radiator Cap**
Aftermarket style
- 5022 Alternator**
Rebuilt Original and High-Amperage styles offered
- 5017 Alternator Wire Harness**
Original style 3-wire harness with plugs, alt to regulator
- 5055 Alternator Ground Wire**
Connects from casing to lower bracket bolt



Need Used Cooling Parts?

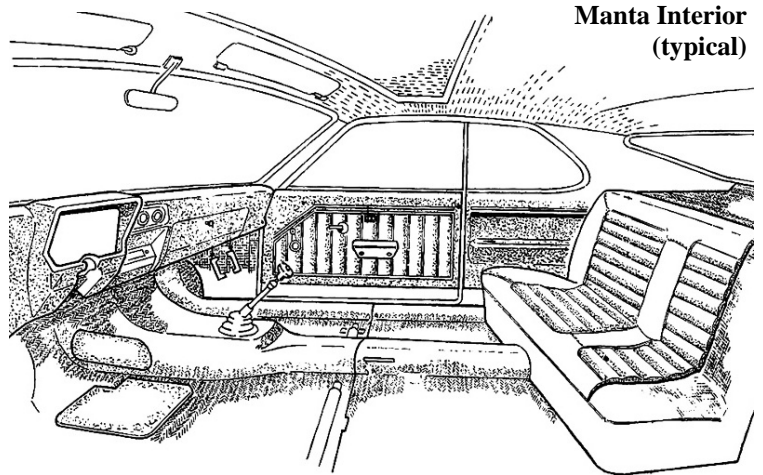
Opel GT Source also has some inventory of good used Manta/Ascona cooling system parts. Selected parts (like radiators) may also be rebuilt on a "special order" basis. Contact us for details.

TECH NOTES: Opel Manta/Ascona Part Variations

During the original 1971-1975 model-year production run, many individual part designs originally installed in the Opel Manta/Ascona series varied by driveline application or were changed. Significant differences to be aware of are presented here, to hopefully assist in your search for matching replacement parts. The best place to start is by identifying your chassis' Vehicle Identification Number (VIN), and another is to refer to available part outlines and diagrams for clarification.

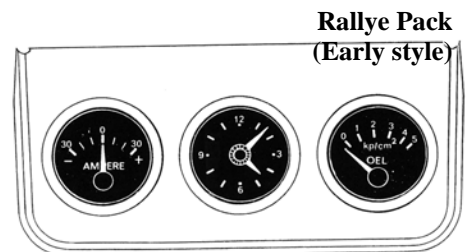
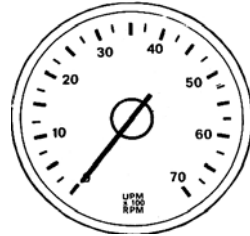
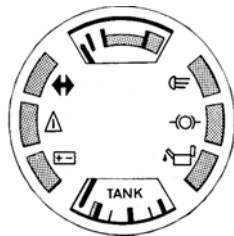
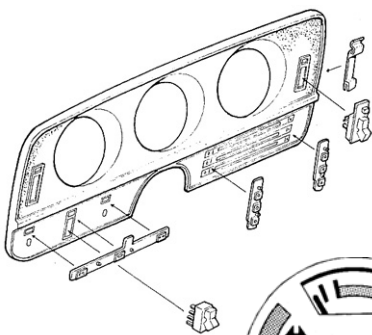
Interior

Opel GT Source has a substantial inventory of interior hardware pieces for the Manta/Ascona series, and has supplied many owners' needs over the years. Specific part requests should be forwarded to us, so that we can search our available stock. However when evaluating upholstery, significant variations occurred between not only the Manta and Ascona models, but also within the year-to-year runs of individual models themselves. Available colors and materials varied between model years, and available stocks of used interior parts can vary in quality (based on their sun and moisture exposure), so if rebuilders wish to assemble a particular matching interior style they can either search for a few necessary items or consider hiring an all-new custom interior restoration by an upholstery shop.



Manta Interior (typical)

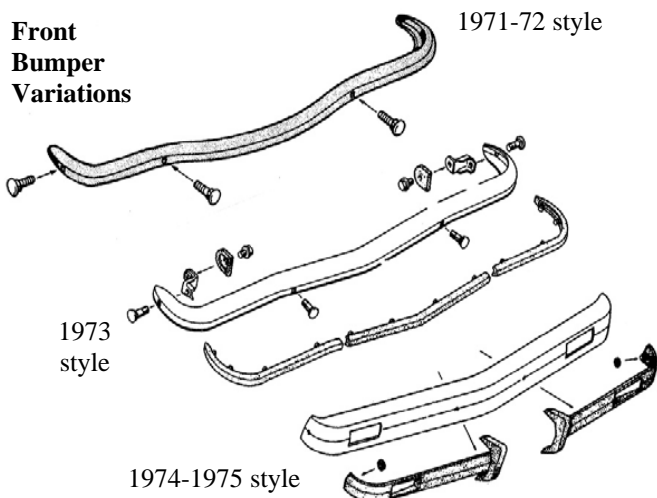
Within the dashboard displays, gauge indicators varied in color and display (the Luxus Manta is noted for its clock, while Rallyes had a tachometer), speedometer gradients were transmission-specific, and other buttons, functions and readouts varied with available options and model years (such as the 1975 which read: "unleaded gasoline only"). Seat belt styles also varied. Sought-after add-ons include the triple-gauge "rallye pack" console, with its oil pressure, clock and amperage readouts, and the dealer-installed underdash air conditioner systems (produced by GM, and ARA).



Rallye Pack (Early style)

Body

Front Bumper Variations



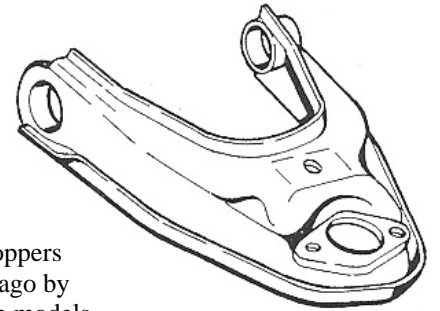
In addition to the inventory of that Opel GT Source carries of exterior hardware pieces for the Manta/Ascona series, it's advocated that owners prioritize acquiring the best original body condition of vehicle that they can find. When buyers plan to spend a bit more time inspecting cars before purchase, patience upfront is often rewarded with prevention of avoidable repairs later.

Of critical importance is rebuilding a rust-free chassis, including the critical front rail area located below the mount location of the battery (when neglected, electrolyte acids can drip down and affect the driver's side frame steel). Another beneficial decision is to acquire a vehicle stored out of the sun, to minimize the amount of harder-to-find replacement exterior side rubber moulding needed.

Visits to displays of Opels in car shows, and research online, can help identify style variations and reliable vendors of these parts. Some sources include referrals from the UK Manta Owners Club, Splendid Parts of Germany, OTR Oldtimerteile of Germany and Opel Classic Parts of the Netherlands.

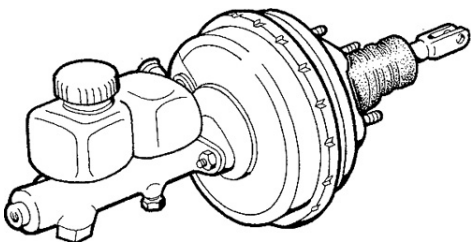
Suspension

Generally, all Manta/Ascona models shared similar suspension components, with the main change a change of upper control arms and camber in the 1974-1975 model years (which is better described in factory tech bulletin #74-I-22). New replacement parts include ball joints, tie rods, and some rubber maintenance items, to help reclaim the remarkably advanced and stable Manta/Ascona chassis road-response. Available upgrades include polyurethane bushing sets sold for mounts of the front and rear arms. Eagle-eyed shoppers may find some surviving rare performance parts, such as thicker sway bars sold many years ago by aftermarket suppliers, and it is speculated there may be stiffer rear coil spring rates on wagon models.

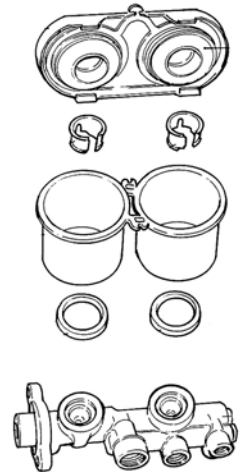
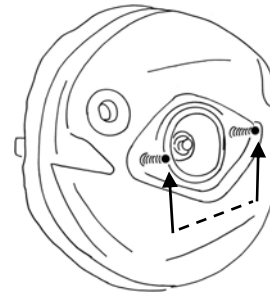


Brakes

Opel GT Source stocks an extensive line of new replacement parts for original 1971-1974 Manta/Ascona brake systems, including calipers, pads, rotors, hardware, drums and more. Shoppers should also be aware that the different and larger-design braking components were originally installed on 1975 models.



One notable distinction is the need for measurement of the width between the studs of a master cylinder/booster assembly, to identify if replacement parts apply to an "early style" or "later style" Manta/Ascona master cylinder or brake vacuum booster.



Electrical

The Manta/Ascona series benefited from a simplified electrical system which is easier to access in tight spaces of the chassis (compared to other Opel models). Aside from ordinary maintenance and inspection of the battery support tray (which is prone to rust-through), no particular issues or requirements for service have been noted. Many owners can benefit from available upgrades, such as a more powerful alternator, but unique parts like some un-faded replacement taillights may require a more persistent search.

Engine

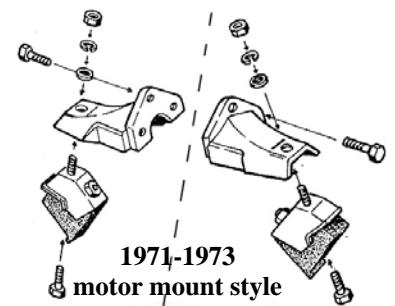
One of the most vital areas of improvement for the Manta/Ascona series can be achieved with a power upgrade using Opel GT Source's performance parts.

A good first step is to establish a baseline for engine performance, by performing a proper engine compression test (including noting both "dry" and "wet" measurements for each and all individual cylinders). Other reliability upgrades include a replacement of the original Solex carburetor with a (trademarked-version) Weber carburetor and a installation of a quality (name-brand) electronic ignition.

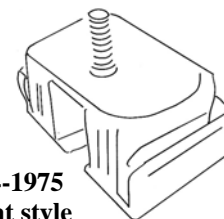
Maintenance needs of ignition tuning and sealing components to prevent vacuum leaks, are the same as with other Opel models. Opel GT Source offers a full line of gaskets and seals for Manta/Ascona engines.

The power output of all Manta/Ascona engine blocks can benefit from an installation of higher-compression 2.0 width pistons, and some cylinder heads originally supplied with the Manta/Ascona do breathe much easier when retrofitted with larger 2.0 width valves. The Manta/Ascona underhood area also will accommodate side-draft carburetors.

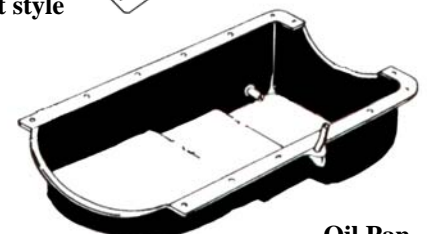
Unique parts of the Manta/Ascona include the motor mounts, which were made of relatively soft rubber and which on the 1971-1973 models are side-specific (meaning, separate mount designs were installed left and right). The later 1974-1975 design is "universal," although top plates are side-specific. Early oil pans were aluminum (some were finned) and later versions were steel.



1971-1973
motor mount style



1974-1975
mount style



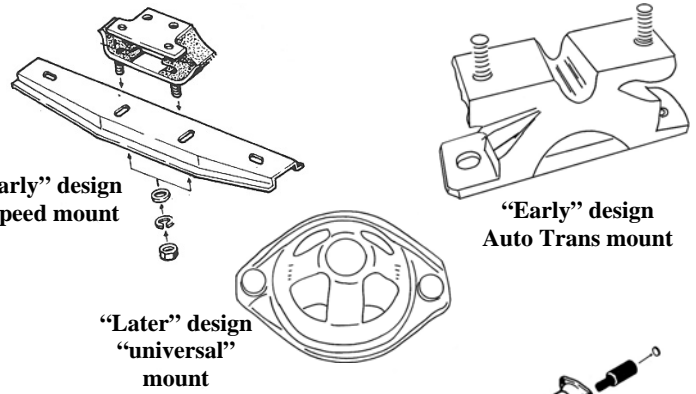
Oil Pan

Driveline

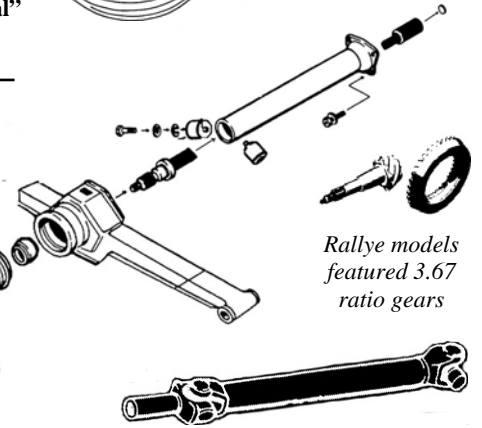
The Manta/Ascona models require replacement parts of different designs, based upon original installations which frequently varied even in the middle of some model-years.

Support mounts includes Transmission-specific “early” designs, and a round universal “later” design (as shown). Chassis locations for mount brackets were also transmission-specific.

Opel GT Source offers complete clutch kits as well as individual seals and for Opel transmissions, and also specializes in the replacement items required for the unique “torque tube” assembly.

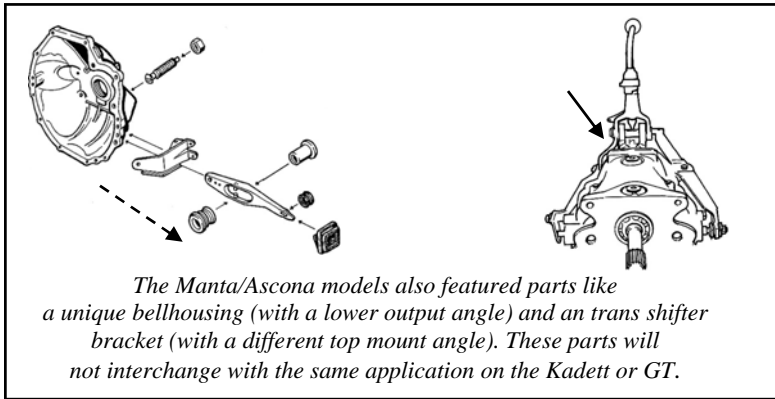


Manta/Ascona's "Torque Tube" and related driveline components shown



Rallye models featured 3.67 ratio gears

Driveshafts should be measured for overall length and snout width, to match applications

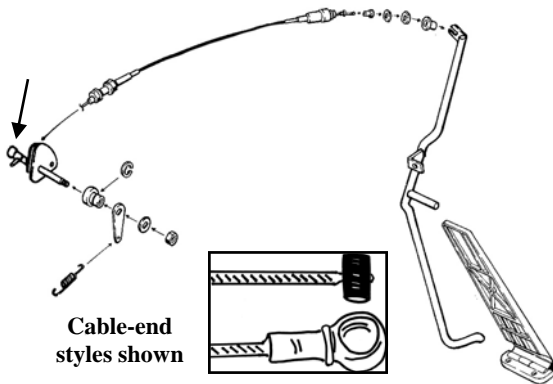


The Manta/Ascona models also featured parts like a unique bellhousing (with a lower output angle) and an trans shifter bracket (with a different top mount angle). These parts will not interchange with the same application on the Kadett or GT.

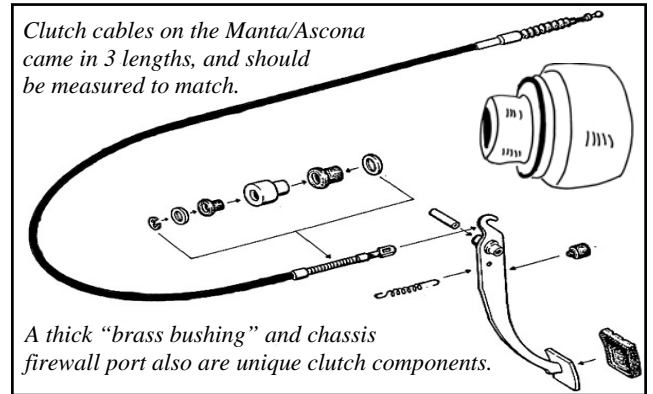
Fuel

The Manta/Ascona models employed a unique and ingenious cable-linked system for throttle operation to the manifold.

The 1971-1974 models used a cable ending in a small “bar,” while fuel-injected 1975 models require a different length cable (with ends in a ball socket). (Some owners of other Opel models, have retrofitted throttle linkages to these cables for surer acceleration).



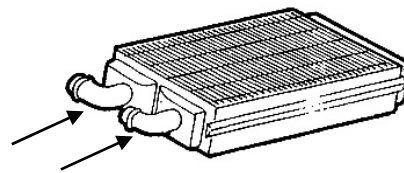
Cable-end styles shown



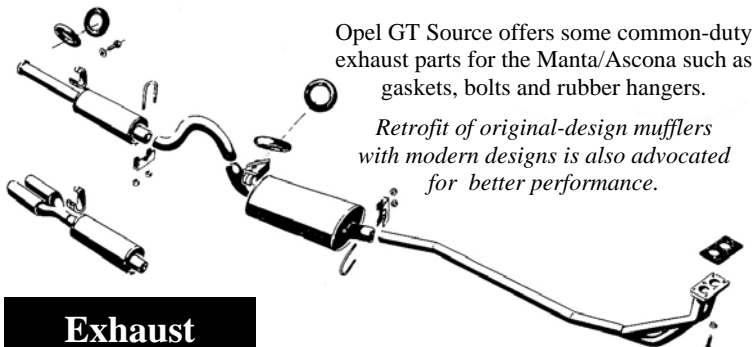
Clutch cables on the Manta/Ascona came in 3 lengths, and should be measured to match.

A thick “brass bushing” and chassis firewall port also are unique clutch components.

Cooling/Heating

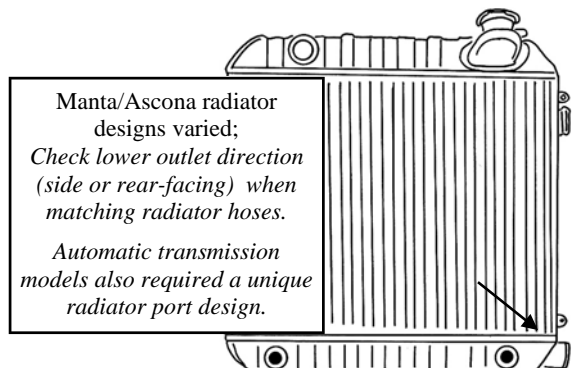


Manta/Ascona heater core designs varied; Check outlet locations when matching replacement parts.



Opel GT Source offers some common-duty exhaust parts for the Manta/Ascona such as gaskets, bolts and rubber hangers.

Retrofit of original-design mufflers with modern designs is also advocated for better performance.



Manta/Ascona radiator designs varied; Check lower outlet direction (side or rear-facing) when matching radiator hoses.

Automatic transmission models also required a unique radiator port design.

Exhaust

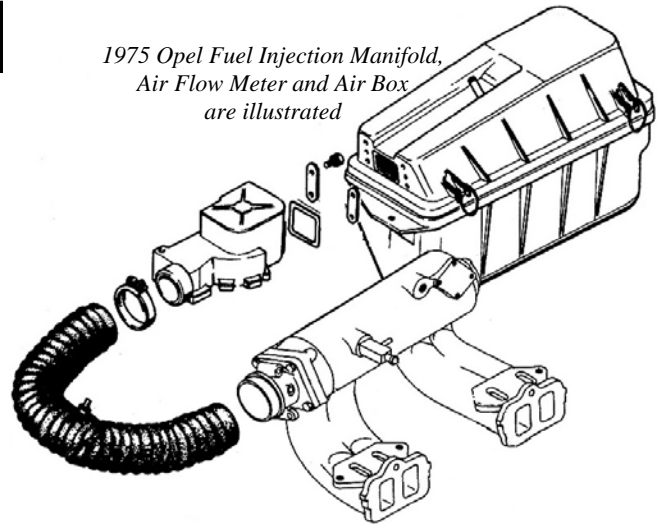
TECH NOTES: 1975 Manta/Asconas

Original 1975 model-year Manta/Asconas featured a Bosch Jetronic fuel-injection system as well as many other unique upgraded components.

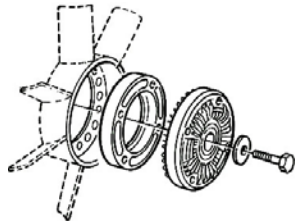
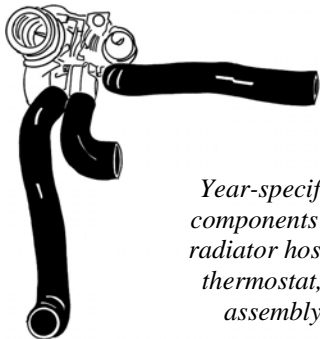
Opel GT Source offers a wide variety of fuel injection and other parts which are specific to this model-year.

Significant technical variations of the 1975 model-year fuel injection and other parts are presented in brief here.

1975 Opel Fuel Injection Manifold, Air Flow Meter and Air Box are illustrated



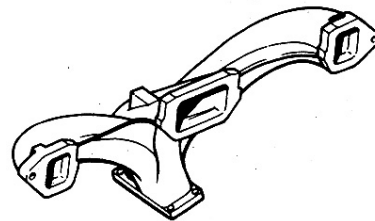
1975 Cooling



Year-specific cooling system components included different radiator hoses, a dual-element thermostat, and a clutch fan assembly with 6-blades.

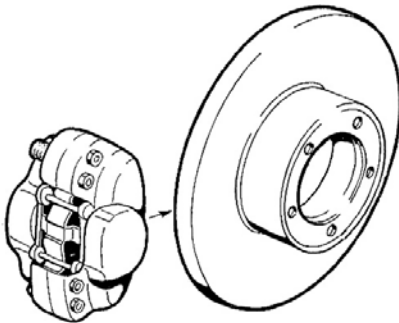


1975 Exhaust



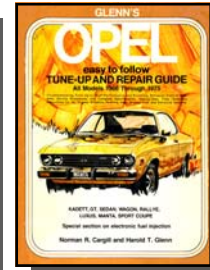
A much sought-after part from the 1975 exhaust system includes its restyled manifold. Without a heat riser, it has been installed as a cast-iron bolt-on header on many other Opels.

1975 Brakes



Year-specific brake system components included larger calipers, thicker and wider front rotors, and a much wider front braking pad surface.

For many years, 1975 model-year brakes were also retrofitted onto other models and years of Opels, for a dramatic bolt-on braking improvement.



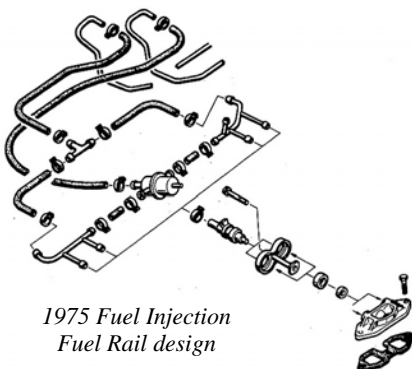
1975 Books

1975 Manta/Ascona owners can acquire include books for fuel injection system service such as the 1975 Opel factory supplement or a tuning guide published by Glenn's.

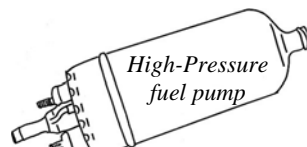
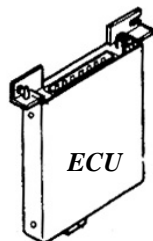
1975 Fuel System

The 1975 Opel includes an extensive array of upgraded fuel system parts, including a redesigned fuel tank, high-pressure fuel pump, fuel rail and a redesigned throttle cable. Care should be taken with its old-school "solid state" ECU "brain box", which is not re-programmable and can be affected by moisture, vibration., and bad grounds.

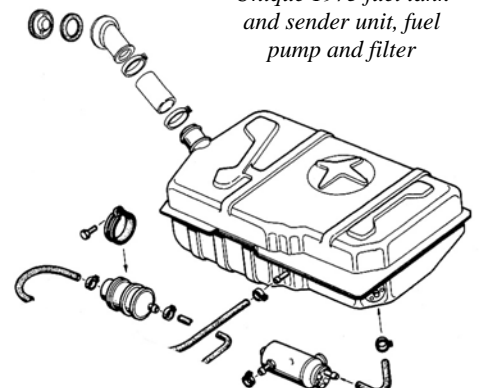
"Ball socket" throttle cable end



1975 Fuel Injection Fuel Rail design



High-Pressure fuel pump



Unique 1975 fuel tank and sender unit, fuel pump and filter

1975 OPEL F.I. SYSTEM PARTS

To aid in identification of specific parts installed with the Bosch LE fuel injection system (originally installed on 1975 model-year US Opels), specific parts are illustrated here.

For optimum performance, it is advised to check and clean all electrical grounds and clean and maintain fuel injectors.



1975 FI System (seen retrofitted in Opel GT)

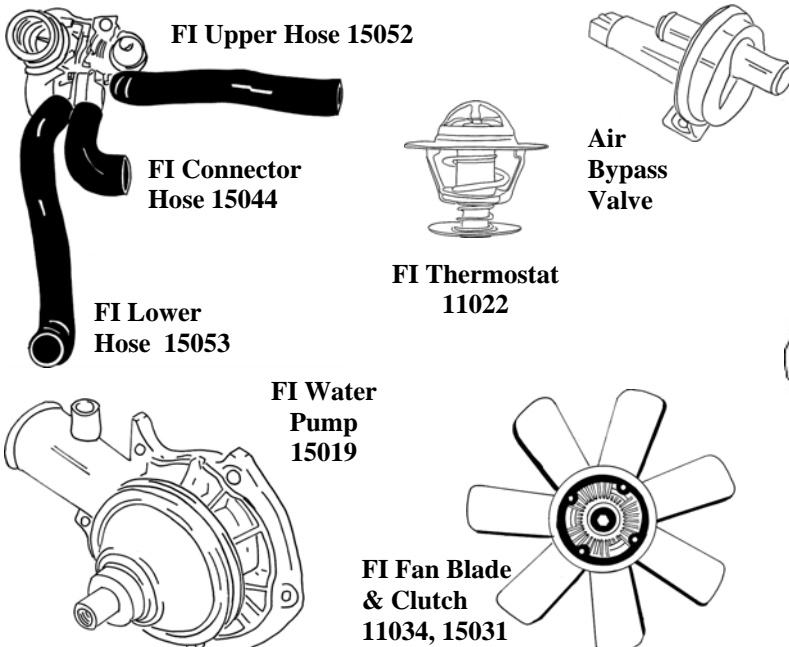
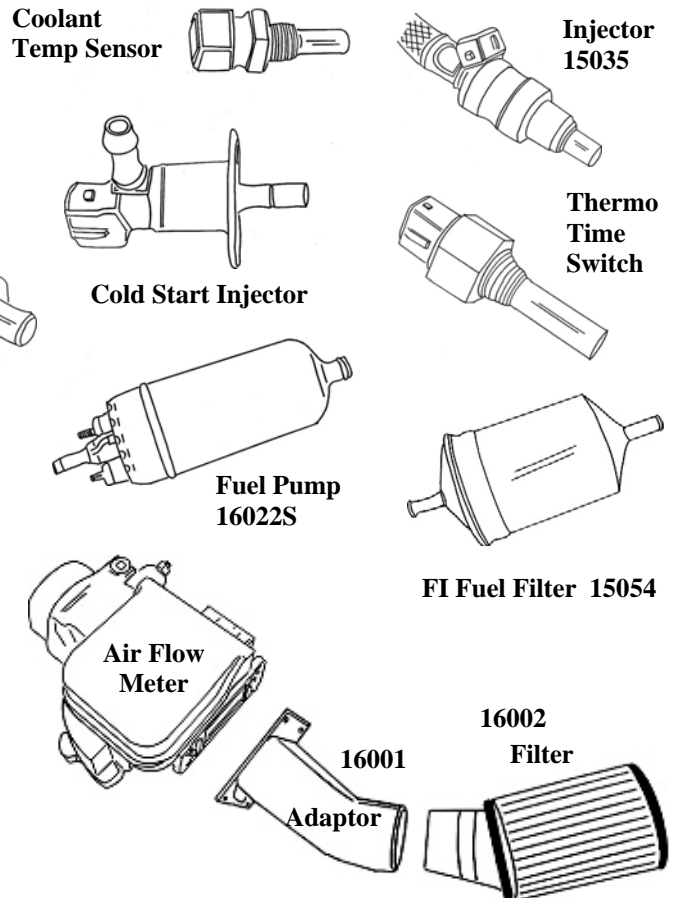
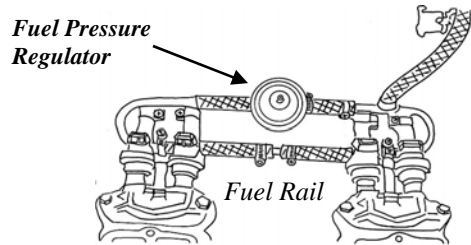
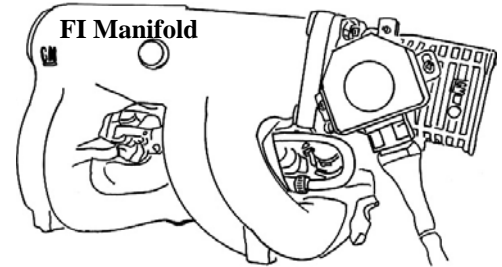
1975 Opel Fuel Injection System Parts

- 6134 Ignition Points for 1975 style distributor
- 15021 Air Filter for 1975 FI system air box
- 15035 Fuel Injector, rebuilt, 1975 type
- 15036 Fuel Injector Seal Set, 1975 type
- 15037 Fuel Injection Cold Start Valve, 1975 type
- 15040 Fuel Injection Thermal Time Switch, 1975 type
- 15054 Fuel injection fuel filter, btw. fuel pump & injection; 1975 type
- 16001 Jetronic Fuel injection filter adaptor.
For between the air flow meter and air filter.
Can be modified for use on 1.9L Fuel Injected Engines.
- 16002K&N air filter for adaptor P/N 16001 (to fit fuel injection on GT)
- 16022S Fuel Pump, High Pressure, aftermarket

(For availability of a FI style Throttle Cable, contact Opel GT Source)

Cooling System: Opel Fuel Injected Engines

- 11017 Fan clutch bolt, 1975 Opel Manta, 1900, Ascona
- 11018 Washer, for fan clutch left-handed thread bolt, 1975 Opel 1.9L
- 11034 Fan Blade, 1975 Clutch Fan
- 11021 Fuel Injection, water nipple on block
- 11022 Thermostat, dual spring, for F.I. thermostat housings
- 11012A Aluminum High-Performance Radiator, for fuel injected engines on Opel GT
- 11033 Adapter Plate, to install 1.9L thermostat (onto 2.2 or 2.4 liter cylinder head)
- 15019 Water Pump with Pulley, for 1975 Opels
- 15031 Fan Clutch, Opel Manta, Ascona, 1900; 1975 type
- 15044 F. I. Connector Hose, Water Pump to Thermostat; 1975 type
- 6137 Thermostat Housing Gasket, 2.2-2.4L. Cylinder Head.



OPEL MANTA/ASCONA BOOKS-LITERATURE

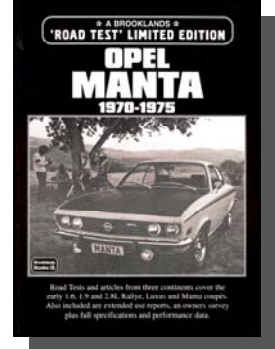
Because service procedures for Opels can differ dramatically (from other cars), every Opel Manta or Ascona owner should own at least one service manual. But because all Opel service manuals contain some inaccuracies (particularly when they miss year-to-year part design changes), Opel GT Source also provides “tech tip” instructions to inform you of critical Opel-specific mechanical procedures (with orders of selected parts).

Catalogs

- DD Opel GT Source Manta/Ascona, Digital Download (A link to a free PDF file download is on our website, and for archival the file can be burned onto a common CD)
- 15017 Lenk Opel Manta Catalog (Available on CD)
- PL Opel GT Source “Part List/Project Guide”
Print version covers the Opel GT, with many part listings that were shared in common with the Manta/Ascona

14024

15017



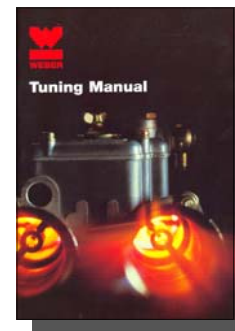
Books for Opel Enthusiasts

- 14024 Book, Opel Manta Limited Edition.
The Original Opel Manta Magazine articles and test reports compiled under one cover. A must for any Opel Manta enthusiast.

Specialty Manuals

- 14018 Bosch Fuel Injection and Engine Management.
Best book on general aspects of Bosch FI systems.
- 14019 Weber Carburetor Book
Service manual for DGV Series and DGAS carbs. Over 180 pgs.
- 14026 Weber Carburetor Book Weber Tuning Manual
Operating principles, part applications, features DCOE types. 92 pgs.

14026

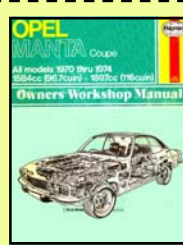
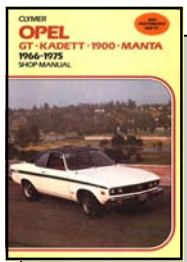


14018

Feedback from Opel owners has indicated that the Chilton, Clymer and earlier Opel factory guides leave out some necessary information and also advocate some impractical service techniques.

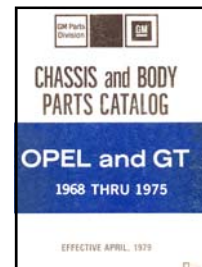
Our experience shows that the “best” overall service guides for the 1971-1974 Opel Manta/Ascona would be a combination of a Haynes Manta guide and a 1973 or 1974 Opel Factory Service Manual (where available).

We also recommend obtaining updated technical information from some alternate sources, such as the back issues of newsletters from the Opel Motorsport Club and “tech tips” Opel GT Source provides with parts.



Recommended Guides

Those with a need for detailed part identification can also consult the 1979 editions of the GM Illustration and chassis/body part catalogs (which list original GM part numbers for many Manta/Ascona parts)



OPEL MANTA/ASCONA ADDITIONAL PARTS

Manta/Ascona/1900 Wagon Exhaust Hardware

- 10009 Gasket, Head Pipe to Exhaust Manifold**
Helps seal exhaust at this junction
- 10011 Bolt Set (6), Head Pipe to Exhaust Manifold**
Replacement for the often-broken original bolts
- 15070 Rubber Hangers**
Help support rear exhaust system components

Additional Items

- 5062 Antenna, OEM Replacement**
- 12001M Front Blitz Emblem, Reproduction**
Available in chrome plastic or black.
- 12096 Emblem Grommet Set, Manta/Ascona**
- 15017 Lenk Manta CD Catalog**
- 15042 Oil Pressure Switch**
Single connector for gauge warning light application
(will not operate "rallye" style pressure gauge readout)
- 15045 Door Hinge Pin**

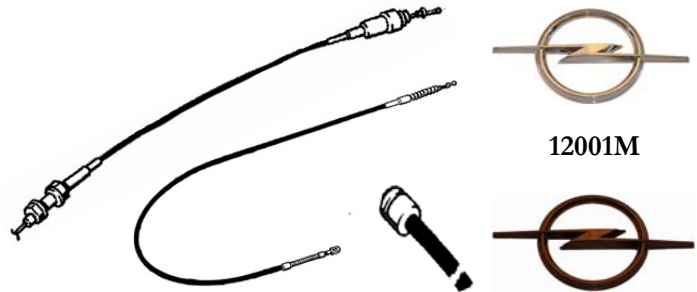
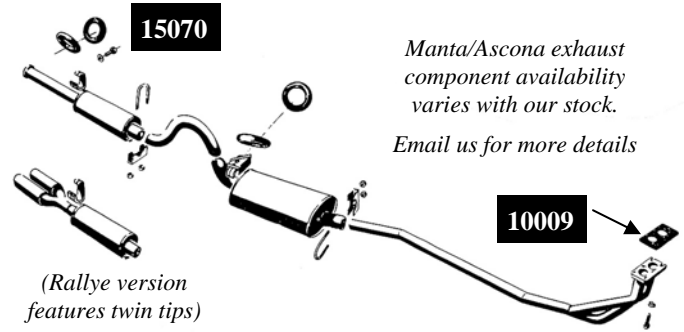
Manta/Ascona/1900 Wagon Cables

For best results, please provide model, model-year, chassis number, identification of transmission or fuel system type, and the approximate overall length of your cable, with your replacement cable order.

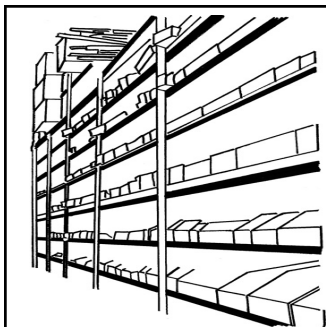
- 15022 Manta/Ascona Speedometer Cable**
Specify manual or automatic transmission
- 15023 Manta/Ascona Clutch Cable (1971-1973)**
- 15024 Manta/Ascona Clutch Cable (1974-Chassis 9162277)**
- 15025 Manta/Ascona Clutch Cable (Chassis 9162278-1975)**
- 15060 Manta/Ascona Throttle Cable (1971-1974)**

Special Required Tools

- 12013 Special Tool**
8mm Serrated Bit (for cam bolts, manifolds, torque tube)
- 12014 Special Tool**
10mm Serrated Bit (for brake hub bolts)
- 12015 Special Tool**
12mm Serrated Bit (for cylinder head bolts)
- 12016 Set of all above tools (12013, 12014 & #12015)**



We hope to see your completed Manta/Ascona at Opel car shows!



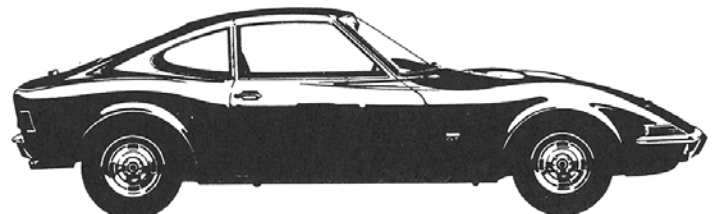
Need Other Parts?

Opel GT Source also has an inventory of many various good used components for the Manta/Ascona series.

It's important to plan your order by identifying the model and year of your vehicle application, and to check for part variations (which are described on the previous pages).

Got another Opel? ("Did You Know??")

Opel GT Source also carries an extensive new and used part inventory for the classic 1968-1973 Opel GT & Kadetts.



Opel Part Ordering Notes



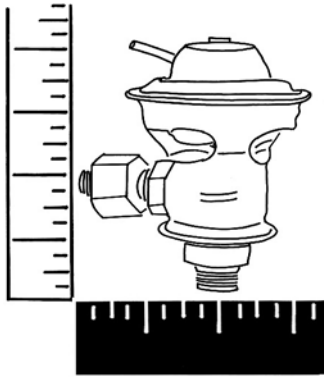
At Opel GT Source, efficient part acquisition and prompt shipping have been our customer-service priorities since day one.

You can ask any of our many thousands of satisfied customers, or consult their reviews online, to check this out for yourself.

Part of our process includes a part classification system, including placement of selected parts within dedicated locations on Opel GT Source's shelves, which we initially constructed over 25 years ago.

Another aspect of efficient part retrieval, includes identification of the correct part. This is where our customers can help, by providing us with the information we need when we undertake a manual search for a matching part.

Got a Photo?

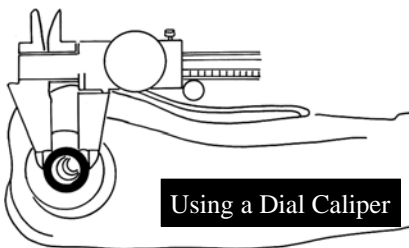


“A picture is worth 1000 words” it has often been said. This principle really helps when identifying replacement parts for Opels.

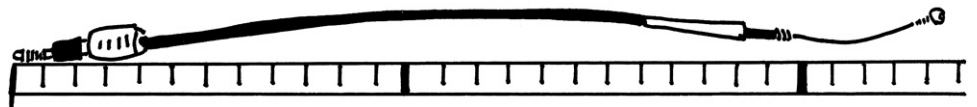
With digital cameras and email capability now accessible to most Opel owners, it's a good idea to help us to help you by providing us a well-staged photo of a part you may need (when the part is something other than a common-duty item).

Placing a pair of common rulers next to the part you need to have identified then forwarding an individual photo to us by e-mail, can help us communicate more effectively and provide service to you much more quickly. In some events, when we aren't able to locate a part here right away, we may also suggest an alternative source.

Take a Measurement?



Some other parts, like some cables and suspension bushings, benefit from more precise measurements to assure a more positive identification.



Shipping

Opel GT Source also automatically combines part orders, and offers package shipping by the most cost-effective delivery services available, to save our customers time and money. We routinely have parts shipped to many regions, across the globe.

Orders received here by noon on business days can also benefit from Opel GT Source's famous “same day shipping policy” (which applies to all except special or large orders—such as engines or fiberglass panels).



OPEL GT SOURCE

Who we are, What we do

Opel GT Source was established in 1987, to provide parts for “restoration, maintenance and enhancement of the Opel GT”. Since then, “OGTS” (as we have become known) has earned its “best in the industry” reputation for quality products and responsive customer service (by answering the needs of many thousands of Opel owners).

*This "Digital Download" is an "interim" guide (superseding our "classic" catalog, shown at right) which is intended to clarify our vast inventory of new Opel parts and to provide technical information (that is commonly needed to order certain Opel parts)***

If there is an Opel part you need (that you don't see in this listing), that doesn't mean we don't have it— We have many good used parts (that aren't listed) - Call us and ask!.



Contact Information:

Order Line: Phone 800-673-5487 (800-OPEL-GTS), during our business hours (Mon-Fri 8am-5pm California, USA time zone)

Canada/International (or Technical Questions): Phone 209-928-1110

FAX us at 209-928-3298

Email us at opelgts@opelgtsource.com

Internet Orders are at <http://www.opelgtsource.com>

Digital Downloads are at <http://www.opelgtsource.com>



Shop Online 24/7
www.opelgtsource.com

Shop Policies:

Payment: We accept Visa, M/C, Discover or American Express credit cards, Money Orders, or Cashiers Checks. No COD.

Shipping: We ship via UPS, US Priority Mail, or Truck Freight, and strive to achieve a “same day” shipping policy.

Back Orders: When an unavailable item returns to stock, we will contact you (we do not charge, until its ready to ship). (An exception is “special orders”, when we are required to provide advance payment to arrange a special imported part).

Returns: To recover a “core charge” deposit, that item must arrive here in undamaged, rebuildable condition. Please contact us if a part arrives damaged or in error. Other part returns must be within 90 days, for store credit only.

Tech Questions: We're happy to assist you with Opel technical advice via Email (when we're not too busy handling orders). For best results, we also suggest consulting Opel reference guides (or instructions sent with our parts) where available.

Used Parts and Parts Not Listed Here: Please Email us to inquire about availability and price

***Typographic and unintended descriptive errors may appear in our guides; part availability and prices may be subject to change without notice.*

Why Buy from “OGTS”?

Convenience, Confidence, Pricing. We stock thousands of parts so that you can get the parts you need for your Opel fast. You can also rest assured you're dealing with a company that's been in business for over 20 years, and knows Opels! Our prices are kept low because many parts are custom-manufactured and because we control our own overhead.

OGTS part lists are published openly — we invite you to compare Opel part costs with those of any contemporary sports cars. Installation instructions are also provided (on request) with many parts will also help you to save time, labor and money on repairs, because you can “do it right, the first time”.



Opel GT Source has re-invested our proceeds, into remanufacture of previously “obsolete” parts for Opel models. Our customer's support and purchases allow us to do this! (Other shops typically restock for other non-Opel inventory). When you patronize Opel GT Source, you are also investing in your own ability, to be able to drive your Opel for many more years to come!





Orders: 800-673-5487 "800-OPELGTS"

International or Tech Calls: 209-928-1110

Internet: www.opelgtsource.com

Digital Catalog (& downloads): <http://www.opelgtsource.com>

Email: opelgts@opelgtsource.com



**Better Parts + Better Service
= Better Performance**

