

GT TANGO



With these parts ... your GT can Tango,
Salsa, Waltz, Ballet, and maybe Belly Dance!



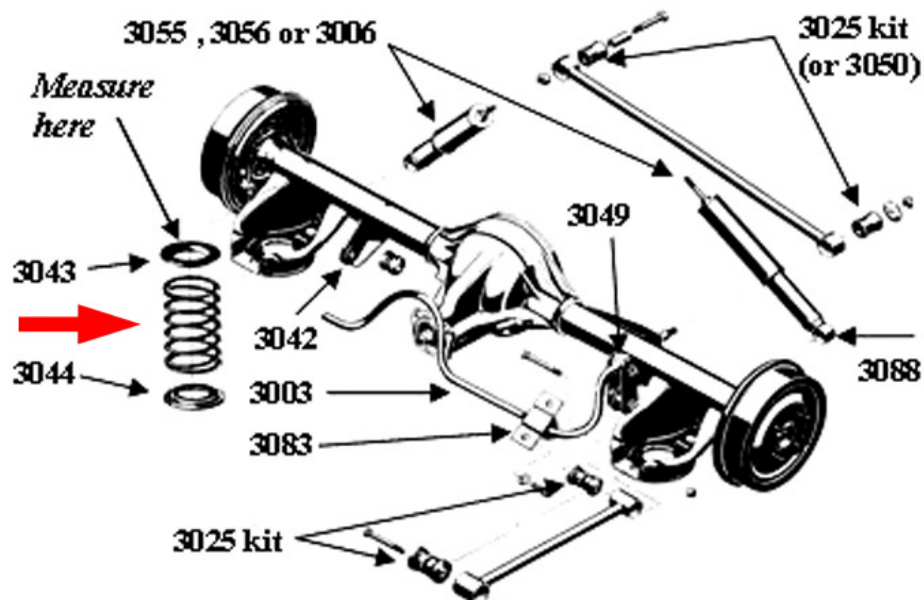
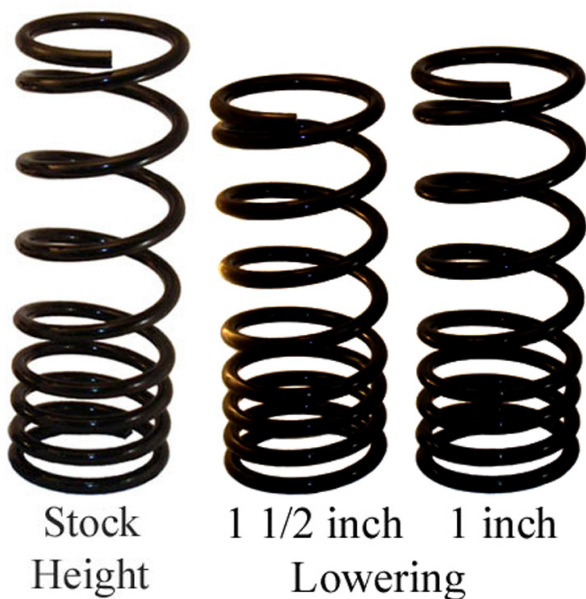
Bolt On Parts To
Spice Up Your Life

New Coil Springs

[Add To Cart](#) 

In order to dance with our curvaceous little Opel's ... we must first start with a solid foundation to build upon. Think of new rear coil springs and front leaf spring as a strong flexible skeleton to build upon.

OGTS offers 3 different heights to match your style and desired performance needs.





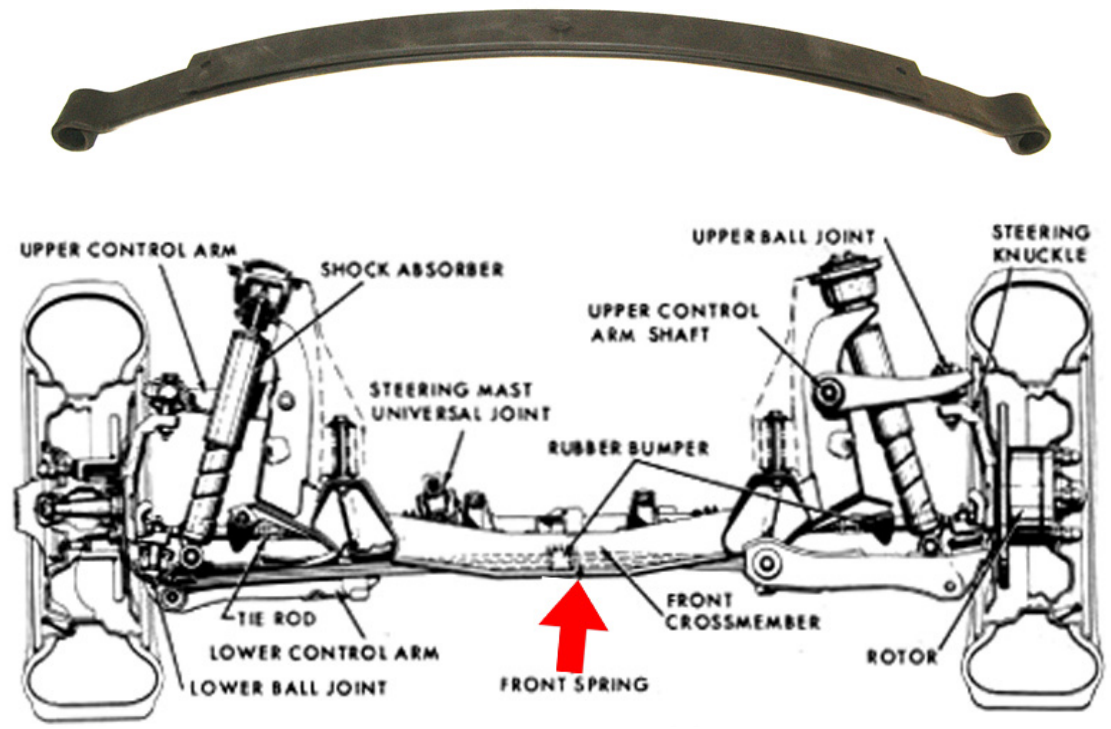
New Leaf Spring

[Add To Cart](#)

Now we move to the front of the car. The front transverse spring is one of the most overlooked parts on our classic Opel's. It's 50 years old and simply has lost it's original capability to support the front of the car as designed.

Renew the front spring to capture the original youthfulness of the front end to improve your braking, steering, ride, and stance!

OGTS offers 2 heights for your style and desired performance needs.





New Sway Bars

Add To Cart 

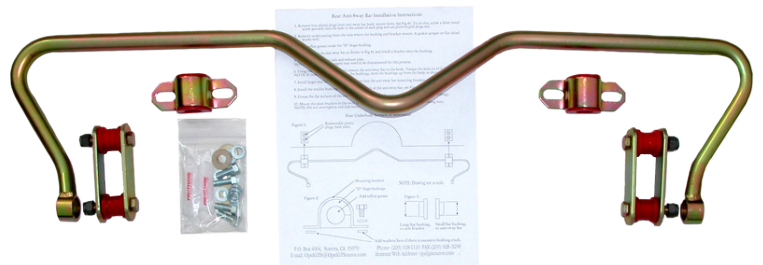
Front & Rear sway bars are the most critical components for the ability of our Opel's to dance. They were originally designed to have them, but the U.S. spec cars did not receive them.

OGTS sway bars are the most cost effective way to make a dynamic positive impact in our Opel GT's handling performance. It's all about the dance!

Combine Front & Rear sway bars on your Opel GT to greatly reduce body-roll and fine tune the front-to-rear balance of your vehicles handling. **OGTS Sway Bars are the first big step to Tango, Salsa, Waltz, Ballet, and maybe even Belly Dance!**



Front

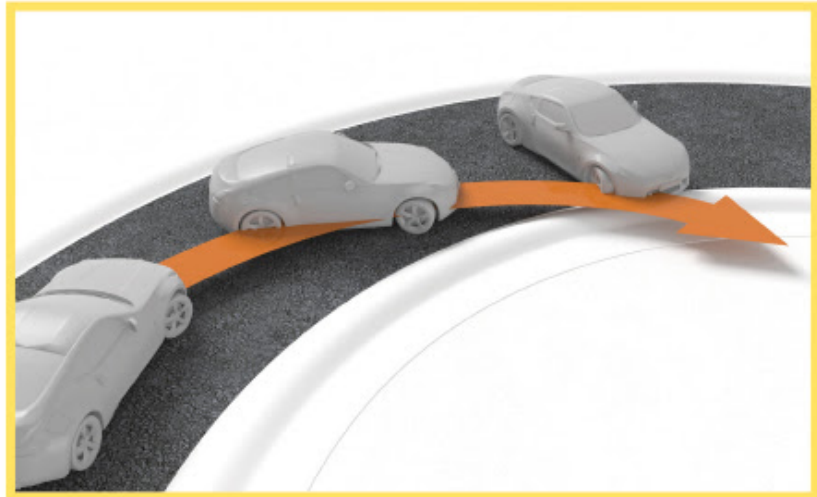


Rear

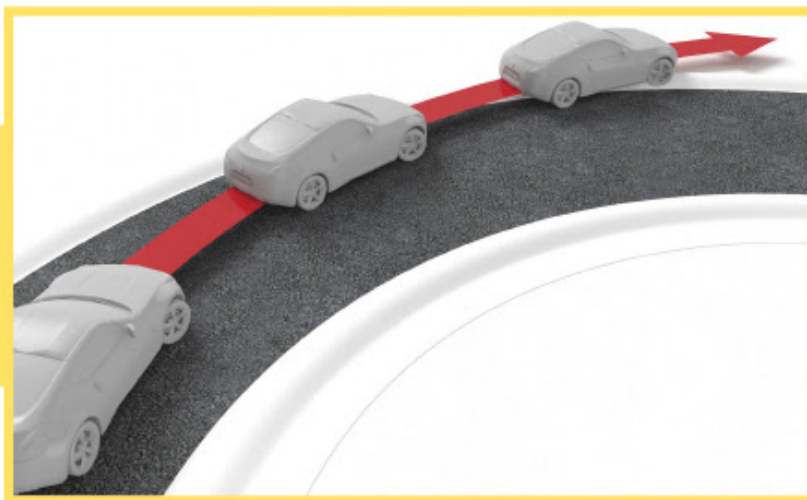


Opel Dynamic Dancing

Front Sway Bar



A proportionally stronger Front Sway Bar can reduce over-steer.



Rear Sway Bar

A proportionally stiffer Rear Sway Bar can drastically reduce the under-steer bias.

GT



WALTZ

The Opel designers and engineers originally intended these cars to have some of the parts and capabilities shown in this digital catalog.

Opel GT Source offers options to improve the original GT's capabilities. Peruse this catalog for parts and ideas to help you raise your GT's abilities to drive, and handle like a Tango, Salsa, Waltz, Ballet, and maybe Belly Dance!



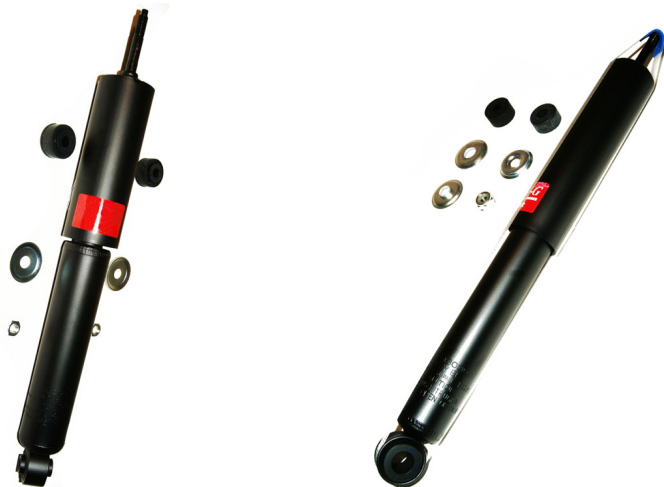
New KYB Shocks

[Add To Cart](#) 

KYB Excel-G gas shock absorbers are built to restore a cars original control: stability, stopping, maneuverability, handling and overall performance.

This nitrogen gas-charged shocks feature a twin-tube internal design which relies on a patented velocity-sensitive valve to minimize foaming and aeration as well ... automatically respond to changes in road conditions for a comfortable and smooth ride.

In order to eliminate weakness common to other brand's products, the Excel-G gas shocks feature sintered-iron guide rods and hard-chromed piston rods, seamless eye rings & cylinders.



*** Please note: OGTS is the only company that offers the shim kit required to install the front shocks correctly!**

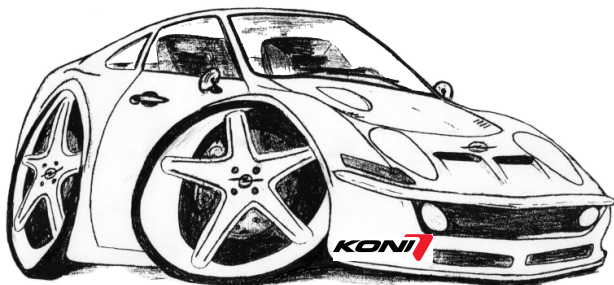


New Koni Shocks

Add To Cart 

Koni Special Reds:

The red KONI line is meant for drivers who want to improve their car in general; better comfort and road-holding combined with a higher level of safety. KONI selects the most appropriate technology for each car from the wide range of shock absorber types. Each shock absorber is then customized for the car model. Hence, a KONI Special Red Classic is always the best choice, for replacement as well as improvement.





New Koni Shocks

[Add To Cart](#) 

Let your suspension live up to its full, tire-squealing potential with new KONI Sport Yellow Shocks. Fully-adjustable, your KONI Sport Yellows are designed to give your ride precision handling with a practical amount of comfort. Not to mention, a clean, bright yellow look that's guaranteed to turn heads.

Created for sport-tuned driving, KONI custom builds Sport Yellow shocks with high-performance damping and valving specific. User-friendly KONI Sport Shocks are easily adjusted for maximizing performance on-the-go.

KONI Sport Yellow Shocks are the ultimate upgrade to your stock suspension system – allowing you to take twists and turns faster and tighter with extreme control.



THE ULTIMATES

Koni Yellows





Opel Dynamic Dancing

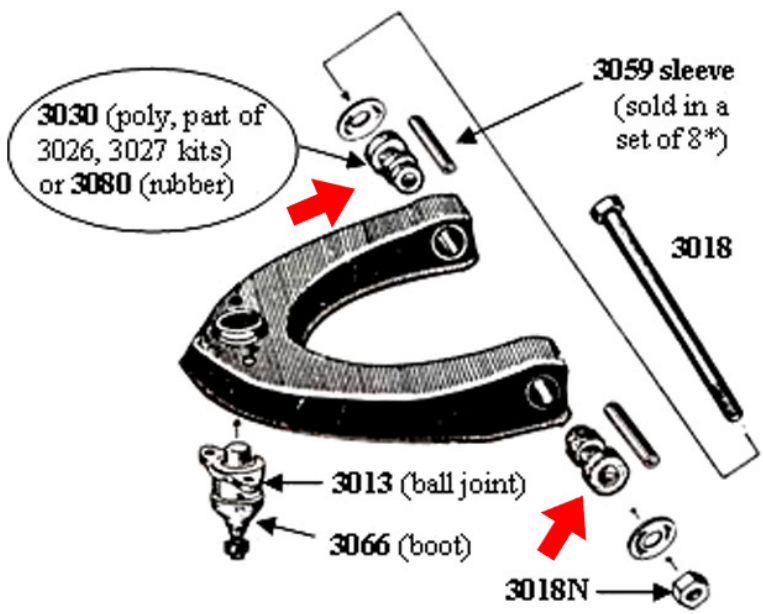
New Front Bushing Kit

Add To Cart

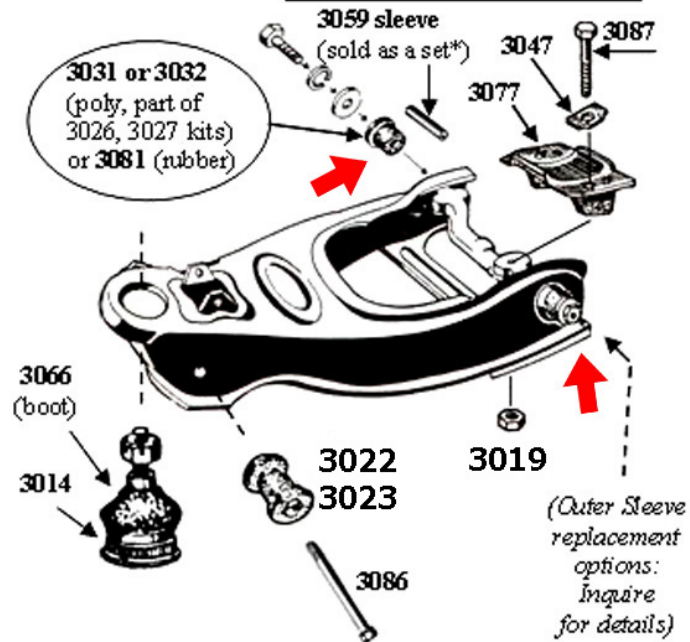
Think of a new front bushing kit like a shot of Glucosamine Sulfate, Methylsulfonylmethane (MSM), Cetyl Myristoleate and Chondroitin Sulfate in your hips, wrists, elbows, and shoulders giving your Opel a more youthful feel! With some Opel's ... it may be more like "Joint Replacement Surgery!"



Upper Control Arm Parts



Lower Control Arm Parts





New Rear Bushing Kit

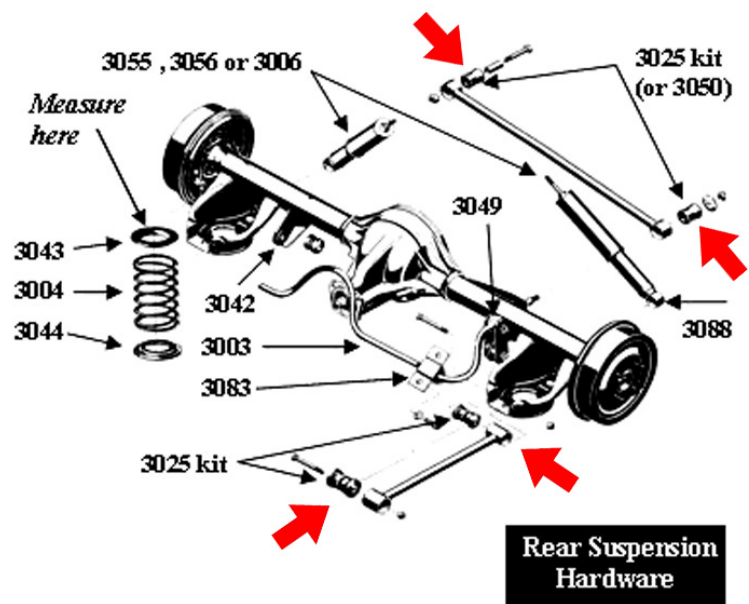
[Add To Cart](#)

A new rear bushing kit is like “Joint Replacement Surgery” for your toes, ankles, knees, and hips!

When your car’s joints are new / good shape, all of your suspension upgrades feel, sound, and perform better!

After suspension bushings have been replaced, your suspension takes on a more youthful feel and that lasts for many, many years.

Ask any Opel owner how well do they like their Opel after the bushings have been replaced. You’ll get a big smile! :)





Misc. Suspension Parts

